

THERMOSTATIC CONTROL UNITS  
**CONNECTION KIT**  
**SERIES KCD300**



KCD300  
 Compression fitting

Connection kit with compression fittings for use on externally threaded valves.

**VERSIONS**

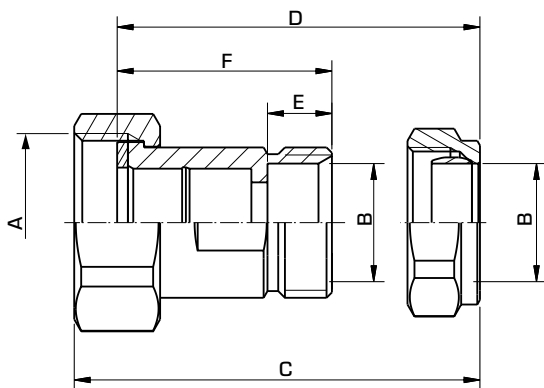
Each package contains two respectively three of each of connection pieces, nuts, gaskets compression rings and compression nuts.

Check valves and surface plating available according to table.

**SUITABLE VALVES**

The connection kit series KCD300 may most easily be fitted with ESBE thermostatic control units:

- Series VTS522, 552
- Series VTA332, 532
- Series VTA362, 562
- Series VTA322, 522
- Series VTA352, 552
- Series VTA372, 572
- Series VMC312



**TECHNICAL DATA**

Pressure class: \_\_\_\_\_ PN10  
 Media temperature: \_\_\_\_\_ max. +120°C  
 \_\_\_\_\_ min. -20°C  
 Connection - nipple design: \_\_\_\_\_ acc. to EN 1254-2  
 \_\_\_\_\_ Internal thread (G), ISO 228/1  
 \_\_\_\_\_ Compression fitting (CPF), EN 1254-2

**Material**

Nut: \_\_\_\_\_ Brass CW 614N  
 Connection piece: \_\_\_\_\_ Dezincification resistant brass, DZR\*  
 Gasket: \_\_\_\_\_ Klingersil C-4400  
 Compression fitting nut: \_\_\_\_\_ Brass CW 614N  
 Compression ring: \_\_\_\_\_ Dezincification resistant brass, DZR\*

\* Suitable for drinking water applications

CE UK EAC 4MS/UBA

**SERIES KCD300, COMPRESSION FITTING (3 CONNECTIONS/PACKAGE)**

Art. No.	Reference	Connection		C	Dimension				Note	Weight [kg]
		A	B		D	E	F			
36552900	KCD313	G 1"	CPF 22 mm	54	48	12	40	1)	0,56	

Note 1) Two check valves included CPF = Compression fitting