

## CONTROLLERS

# CONTROLLER SERIES CRA120

ESBE series CRA120 is a combined actuator and constant flow temperature controller with adjustable temperature setting within the range of 5 – 95 °C. Recommended for valves of DN65 up to DN100, especially suited for ESBE 3-way valves series F.

### OPERATION

The ESBE series CRA120 is an actuator and controller solution, for use with mixing or diverting valves. Temperature setting is done by an easy-to-use display unit.

### MOUNTING

Power supply by 230 V AC adapter (complete with transformer and cable) or 24 V AC (cable only).

Controller unit with display included for easy mounting on wall etc, well suited for applications where the actual valve and actuator is located in a hard-to-reach position. 1,5m cable for connection to actuator included.

Flow pipe sensor with 1,5m cable included (longer cable available as accessory). The sensor must be carefully insulated from the ambient temperature.

The CRA120 is recommended for mounting on ESBE valves series F ≤ DN100.

### OPTIONAL EQUIPMENT

Art. No.

17053100 \_\_\_\_\_ CRA911 Flow pipe sensor, 5m cable



CRA121/CRA122/CRA125

### SUITABLE MIXING VALVES

● Series F

### ADAPTOR KITS

Required adaptor kits for easily fitting onto an ESBE rotary mixing valve is available in two different styles. Adaptor kit designed for ESBE mixing valve series MG, G, F, BIV, H, HG is supplied with each controller. Adaptor kits for ESBE mixing valve series VRG, VRH, VRB and VBF can be ordered separately.

Art. No.

16051300 (= supplied with controller)

\_\_\_\_\_ ESBE valve series MG, G, F, BIV, T, TM, H, HG

16053300 \_\_\_\_\_ ESBE valve series VRG, VRH, VRB

Adaptor kits for other mixing valves and valves built-into boilers are available as follows:

Art. No.

16053600 \_\_\_\_\_ BRV, Meibes, Oventrop\*\*, Watts

16053900 \_\_\_\_\_ Honeywell Centra ZR, DR, DRG, DRU (DN15–50)

16051700 \_\_\_\_\_ Honeywell Centra Kompakt DRK/ZRK

16051300 \_\_\_\_\_ Sauter MH32...H42...

16052600 \_\_\_\_\_ Schneider Electric/TAC-TRV

16052500 \_\_\_\_\_ Siemens VBG31, VBI31, VBF21, VCI31\*\*\*

16051400 \_\_\_\_\_ TA-VTR, TA-STM

16051500 \_\_\_\_\_ Viessmann (DN20–25)

### TECHNICAL DATA

Ambient temperature: \_\_\_\_\_ max. +55°C  
\_\_\_\_\_ min. -5°C

Temperature range:

Flow pipe sensor \_\_\_\_\_ +5 to +95°C

Enclosure rating - Actuator unit: \_\_\_\_\_ IP54

- Control box: \_\_\_\_\_ IP54

Protection class: \_\_\_\_\_ II

Power supply: \_\_\_\_\_ 24 ± 10% V AC, 50/60 Hz

\_\_\_\_\_ 230 ± 10% V AC, 50 Hz

Power consumption - 24 V AC: \_\_\_\_\_ 3 VA

- 230 V AC: \_\_\_\_\_ 10 VA

Torque: \_\_\_\_\_ 15 Nm

Running time at max. speed: \_\_\_\_\_ 120s

Weight: \_\_\_\_\_ 0,9 kg

CE LVD 2014/35/EU  
EMC 2014/30/EU  
RoHS 2011/65/EU

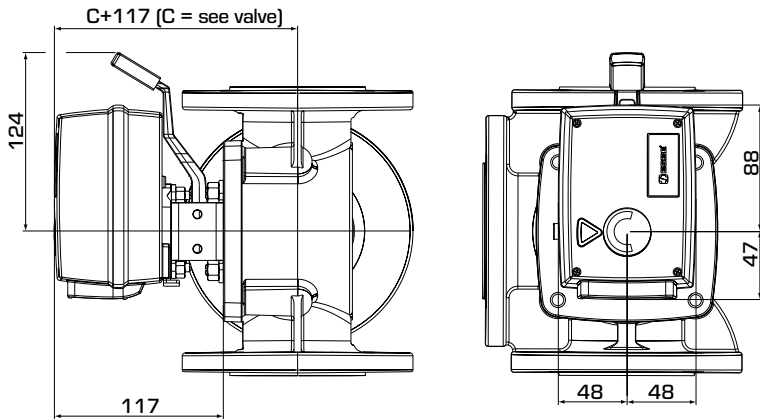
UK CA EAC



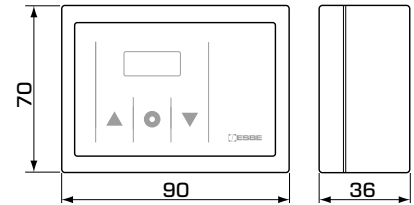
Wiring - Please see the Installation instruction

Notes: \*\*For Oventrop mixing valves until ~2015 (old design of the housing). \*\*\* ≤ DN50

# CONTROLLER SERIES CRA120



Installation dimensions for Controller Series CRA120



Installation dimensions for Control box

## SERIES CRA120

Art. No.	Reference	Voltage [V AC]	Temp. range	Torque [Nm]	Note	Replaces
12742100	CRA121	230	5-95°C	15	Transformer with UK plug	1270 0500
12742500	CRA125					
12742200	CRA122	24				12700100

## INSTALLATION EXAMPLES

