

CONTROLLERS

CONTROLLER SERIES CRA120

ESBE series CRA120 is a combined actuator and constant flow temperature controller with adjustable temperature setting within the range of 5 – 95 °C. Recommended for valves of DN65 up to DN100, especially suited for ESBE 3-way valves series F.

OPERATION

The ESBE series CRA120 is an actuator and controller solution, for use with mixing or diverting valves. Temperature setting is done by an easy-to-use display unit.

MOUNTING

Power supply by 230 V AC adapter (complete with transformer and cable) or 24 V AC (cable only).

Controller unit with display included for easy mounting on wall etc, well suited for applications where the actual valve and actuator is located in a hard-to-reach position. 1,5m cable for connection to actuator included.

Flow pipe sensor with 1,5m cable included (longer cable available as accessory). The sensor must be carefully insulated from the ambient temperature.

The CRA120 is recommended for mounting on ESBE valves series F ≤ DN100.

OPTIONAL EQUIPMENT

Art. No.

17053100 _____ CRA911 Flow pipe sensor, 5m cable



CRA121/CRA122/CRA125

SUITABLE MIXING VALVES

● Series F

ADAPTOR KITS

Required adaptor kits for easily fitting onto an ESBE rotary mixing valve is available in two different styles. Adaptor kit designed for ESBE mixing valve series MG, G, F, BIV, H, HG is supplied with each controller. Adaptor kits for ESBE mixing valve series VRG, VRH, VRB and VBF can be ordered separately.

Art. No.

16051300 (= supplied with controller)

_____ ESBE valve series MG, G, F, BIV, T, TM, H, HG

16053300 _____ ESBE valve series VRG, VRH, VRB

Adaptor kits for other mixing valves and valves built-into boilers are available as follows:

Art. No.

16053600 _____ BRV, Meibes, Oventrop**, Watts

16053900 _____ Honeywell Centra ZR, DR, DRG, DRU (DN15–50)

16051700 _____ Honeywell Centra Kompakt DRK/ZRK

16051300 _____ Sauter MH32...H42...

16052600 _____ Schneider Electric/TAC-TRV

16052500 _____ Siemens VBG31, VBI31, VBF21, VCI31***

16051400 _____ TA-VTR, TA-STM

16051500 _____ Viessmann (DN20–25)

TECHNICAL DATA

Ambient temperature: _____ max. +55°C
_____ min. -5°C

Temperature range:

Flow pipe sensor _____ +5 to +95°C

Enclosure rating - Actuator unit: _____ IP54

- Control box: _____ IP54

Protection class: _____ II

Power supply: _____ 24 ± 10% V AC, 50/60 Hz

_____ 230 ± 10% V AC, 50 Hz

Power consumption - 24 V AC: _____ 3 VA

- 230 V AC: _____ 10 VA

Torque: _____ 15 Nm

Running time at max. speed: _____ 120s

Weight: _____ 0,9 kg



LVD 2014/35/EU
EMC 2014/30/EU
RoHS3 2015/863/EU

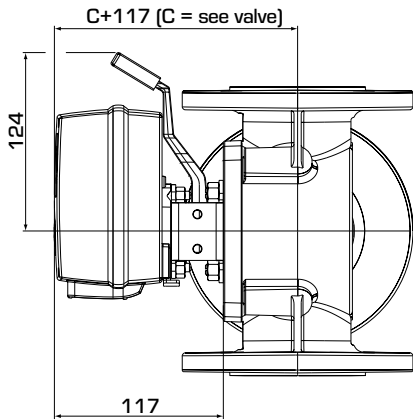


SI 2016 No. 1101
SI 2016 No. 1091
SI 2012 No. 3032

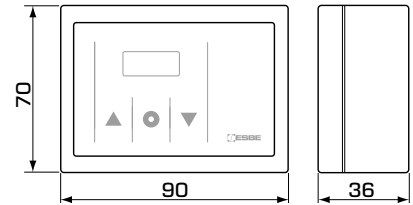
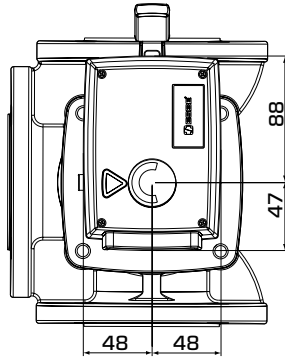
Wiring - Please see the Installation instruction

Notes: **For Oventrop mixing valves until ~2015 (old design of the housing). *** ≤ DN50

CONTROLLER SERIES CRA120



Installation dimensions for Controller Series CRA120



Installation dimensions for Control box

SERIES CRA120

Art. No.	Reference	Voltage [V AC]	Temp. range	Torque [Nm]	Note	Replaces
12742100	CRA121	230	5-95°C	15	Transformer with UK plug	1270 0500
12742500	CRA125					12700100
12742200	CRA122	24				

INSTALLATION EXAMPLES

