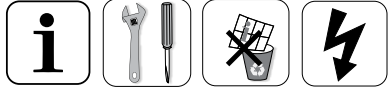
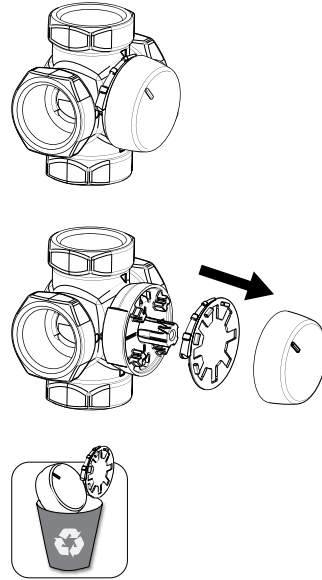
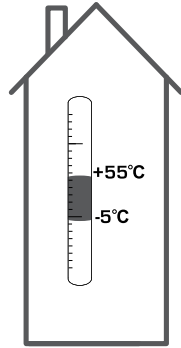


# ESBE SERIES ARA600 Prop

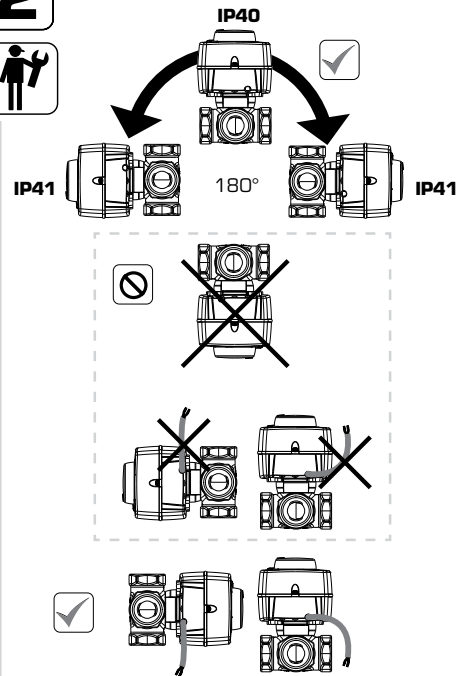


Series ARA639  
Series ARA659

**CE** LVD 2014/35/EU  
EMC 2014/30/EU  
RoHS 2011/65/EU

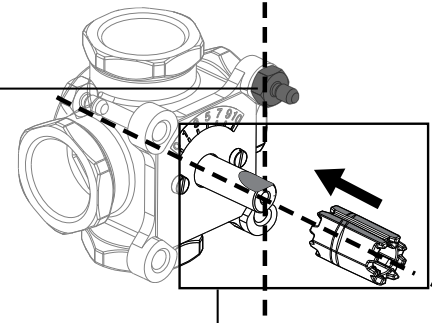


## INSTALLATION ANGLE

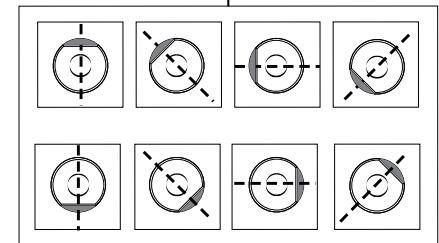
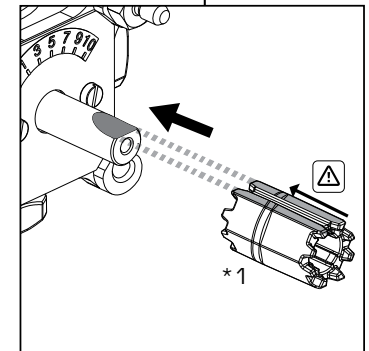


## Series MG, G, F, H, HG, BIV, T, TM

	DN15-25	
	DN20-40	
	DN50	
	DN20-25	
	DN32-50	
	H: DN25	
	H: DN32-50	
	HG: DN25	
	DN20-22	
	DN25	
	T: DN20-32	
	TM: DN20	

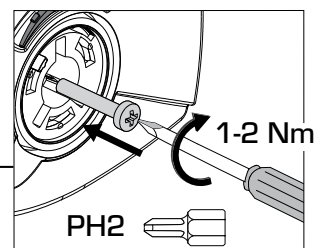
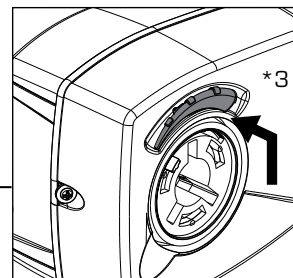
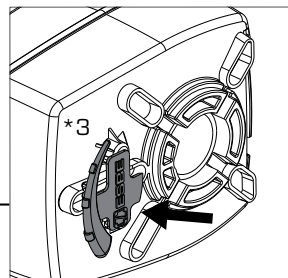
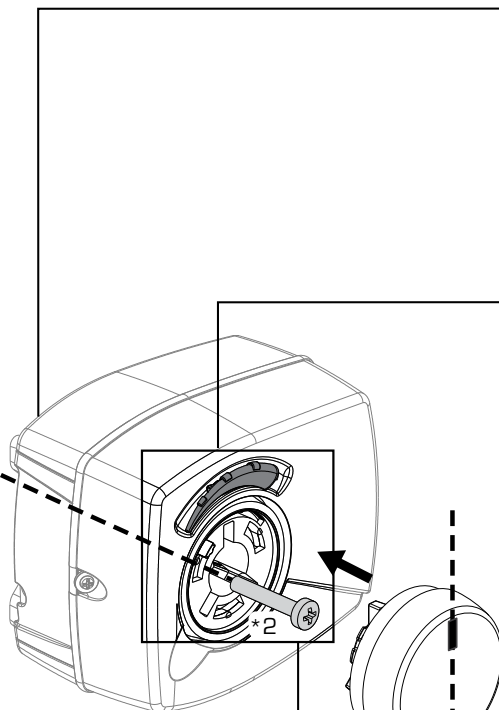
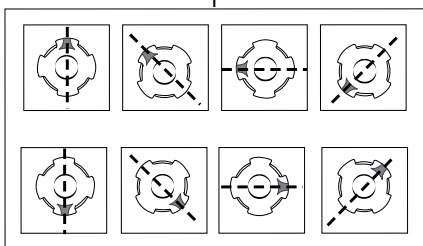
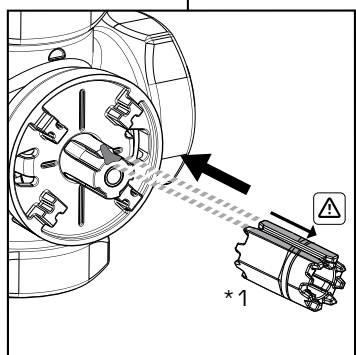
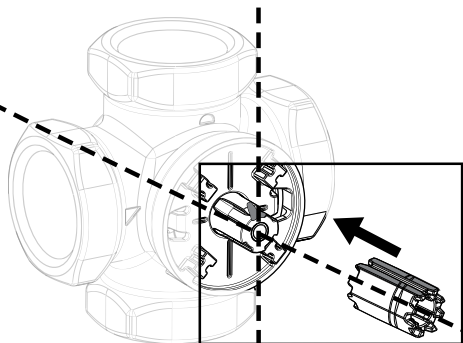


Kit	*Parts
	*1
	*2
	*3



Series VRGxxx, VRBxxx, VRHxxx

Series VRCxxx



ESBE AB  
Bruksgatan 22  
SE-333 75 Reftele  
www.esbe.eu



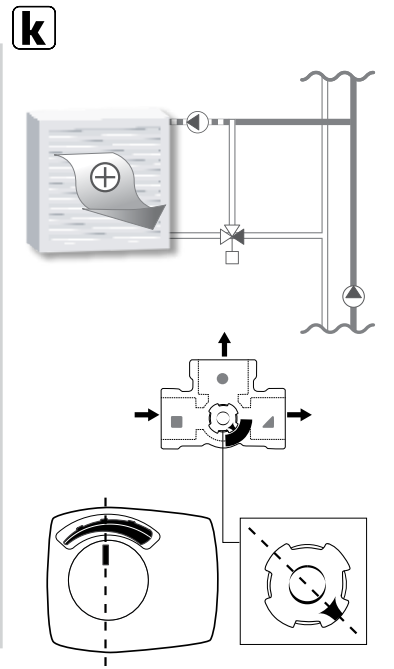
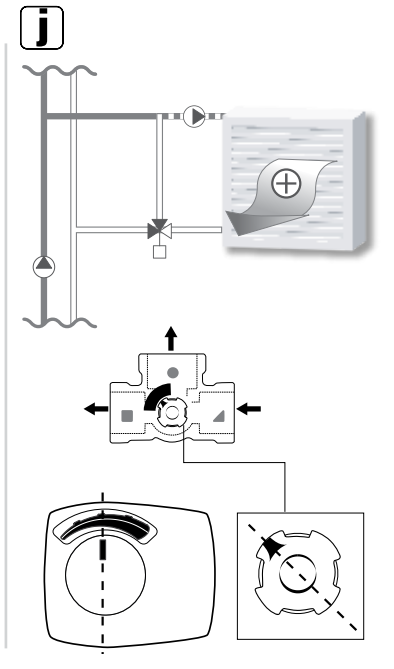
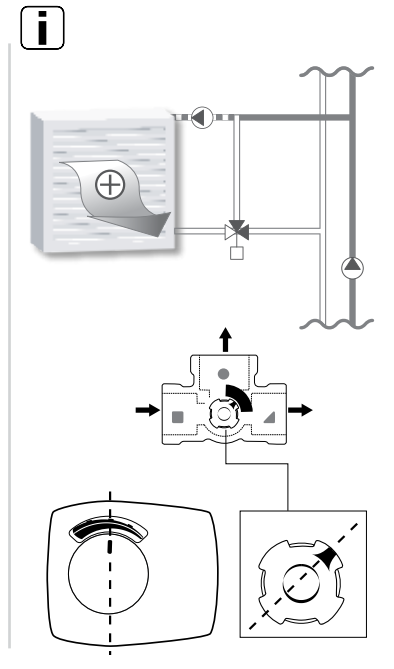
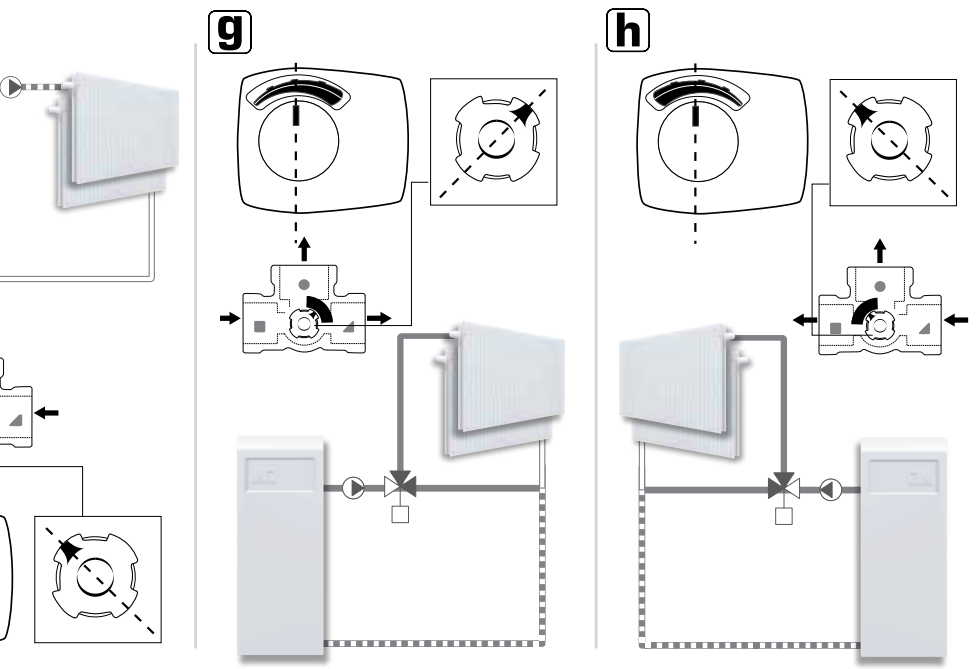
Mtrl.no. 98140276 • Dwg. 8082 • Vers P • Rev. 2026-06-17



**SERIES ARA600 Prop**

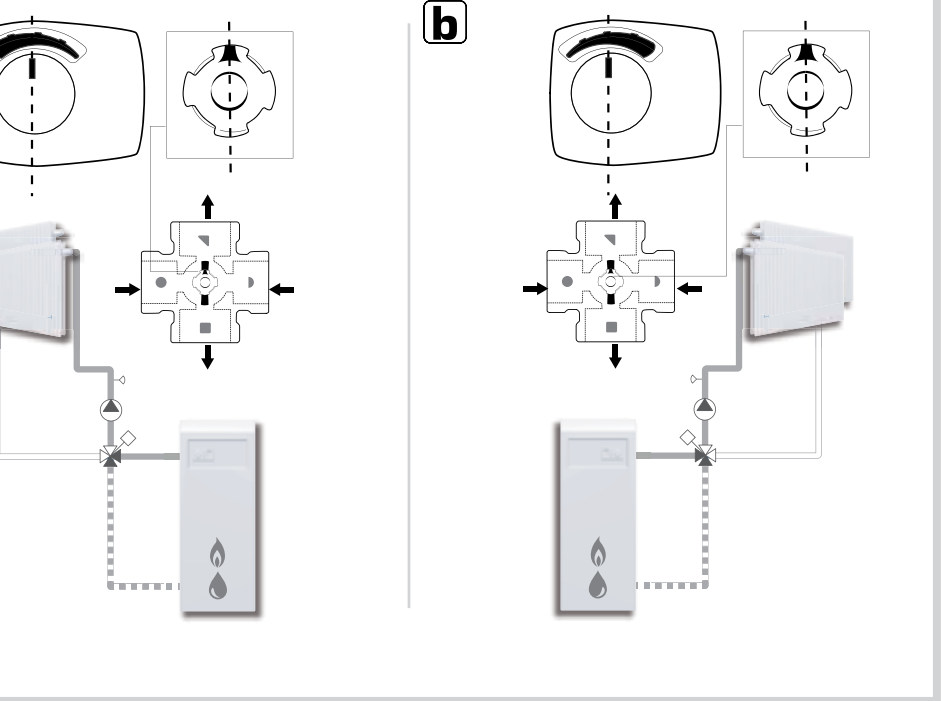




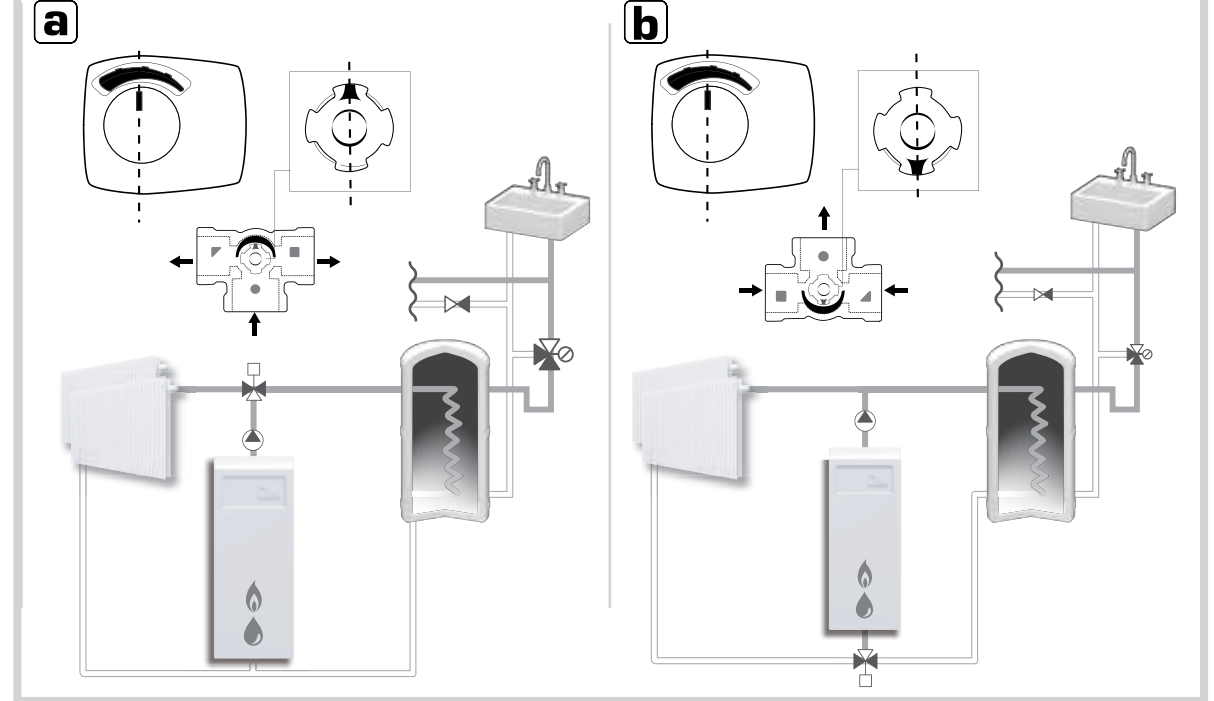


SERIES VRG130

**SERIES VRG140**

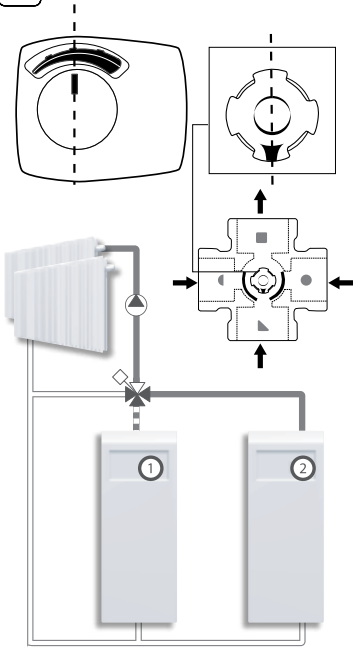


**SERIES VRG230**

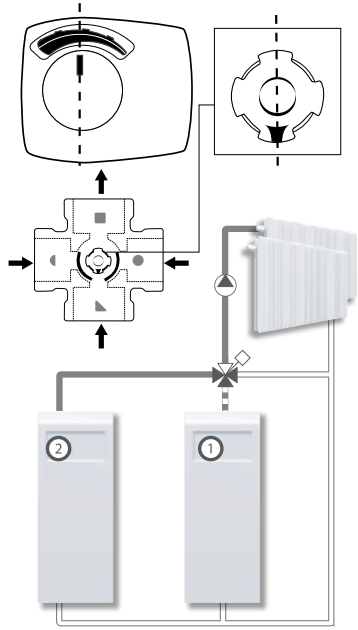


# SERIES VRB140

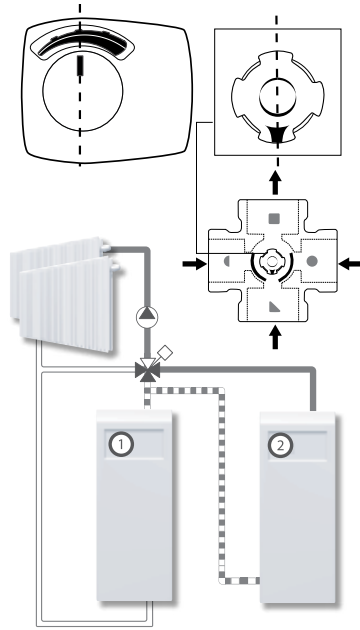
**a**



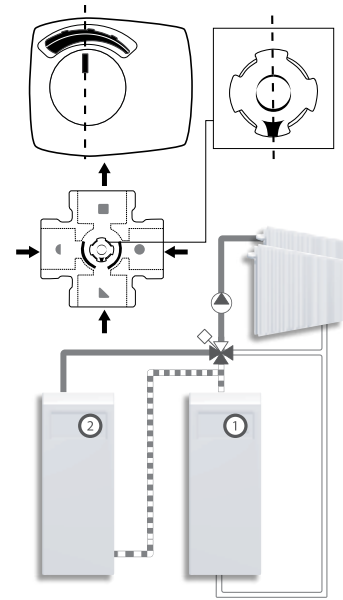
**b**



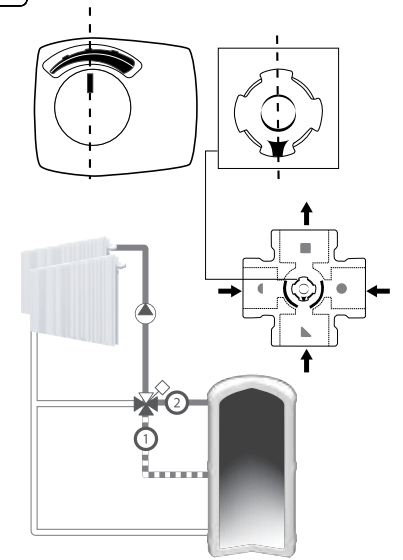
**c**



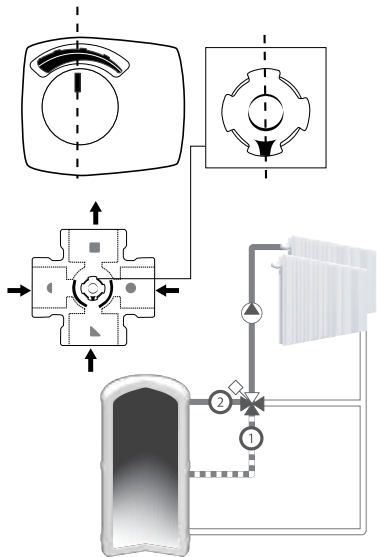
**d**



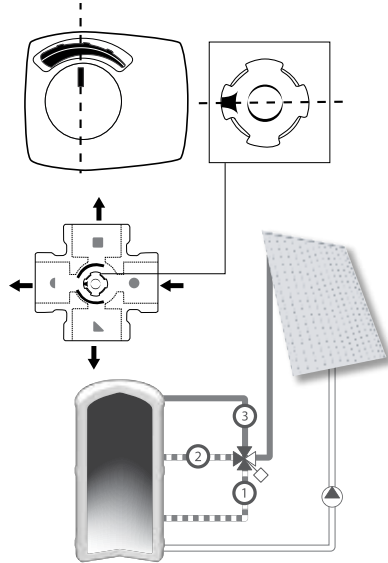
**e**



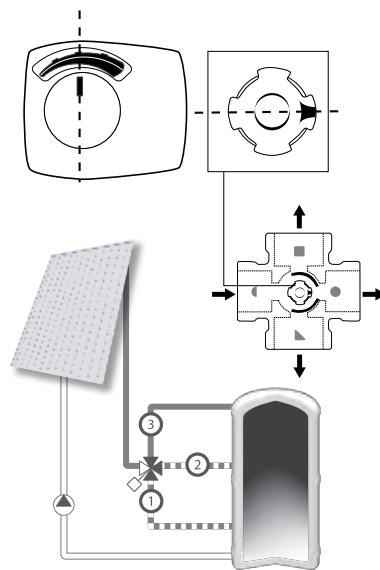
**f**



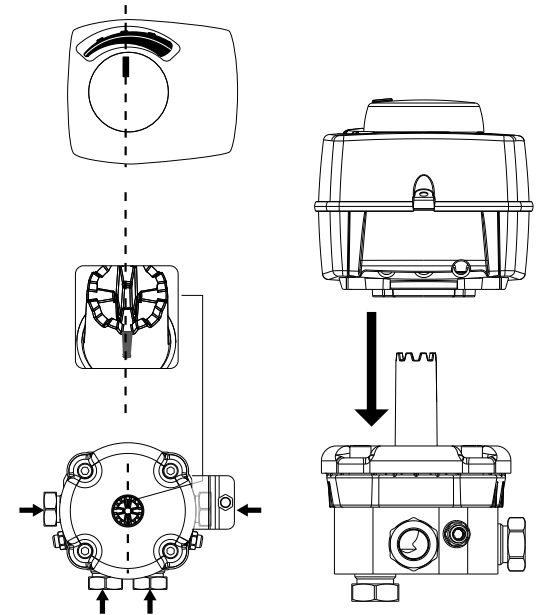
**g**



**h**



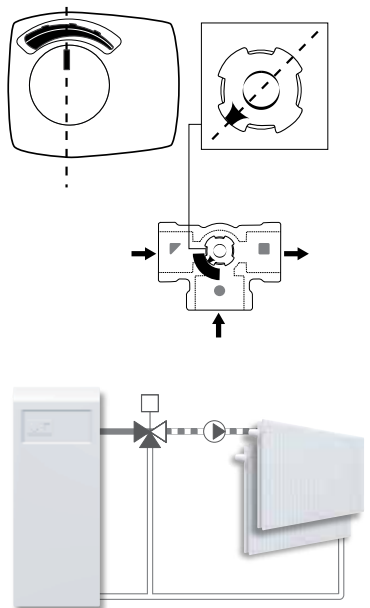
# SERIES VRC160



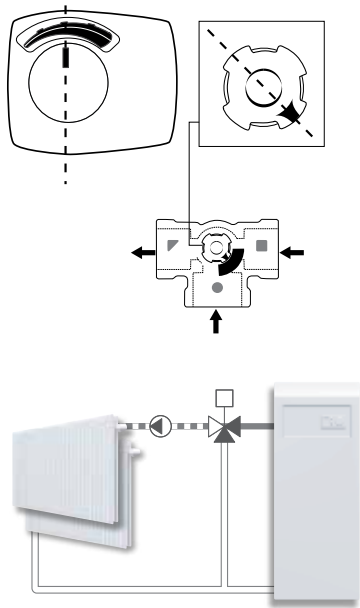
*Piping Schematics are General Representations*

# SERIES VRG330

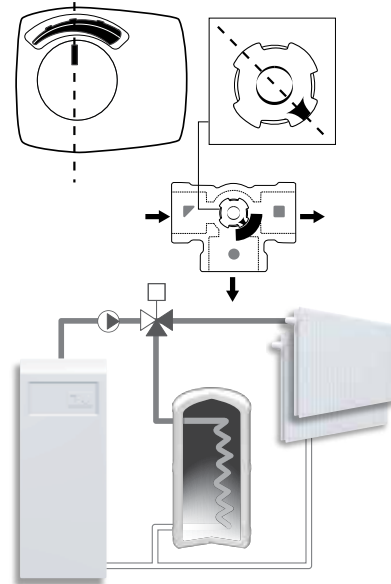
**a**



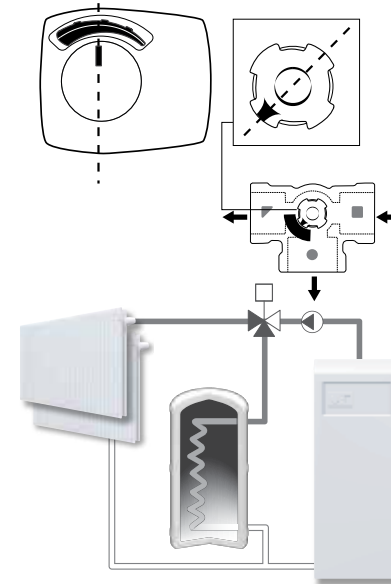
**b**



**c**



**d**



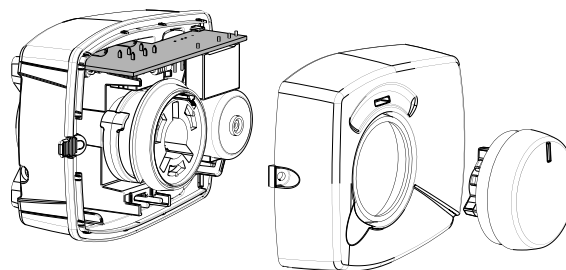
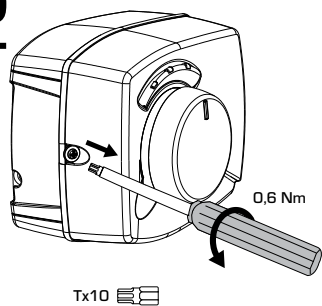
**4**



1



2





# Series ARA639

**3/U**

**3/I**

**4/U**

≥ 0,5mm<sup>2</sup>

≥ 0,5mm<sup>2</sup>

≥ 0,5mm<sup>2</sup>



- ON
- 1
- 2
- 3
- 4
- 5
- 6
- 7
- 8

**ON**

<input type="checkbox"/> 1	<input type="checkbox"/> ON	<input type="checkbox"/> ON	<input type="checkbox"/> ON	<input type="checkbox"/> ON
<input type="checkbox"/> 2	<input type="checkbox"/> ON	<input type="checkbox"/> ON	<input type="checkbox"/> ON	<input type="checkbox"/> ON
<input type="checkbox"/> 3	<input type="checkbox"/> ON	<input type="checkbox"/> ON	<input type="checkbox"/> ON	<input type="checkbox"/> ON
<input type="checkbox"/> 4	<input type="checkbox"/> ON	<input type="checkbox"/> ON	<input type="checkbox"/> ON	<input type="checkbox"/> ON

120s 60s 30s 15s

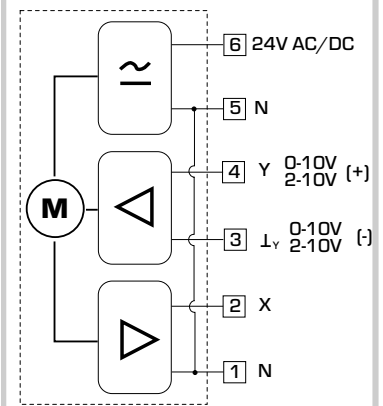
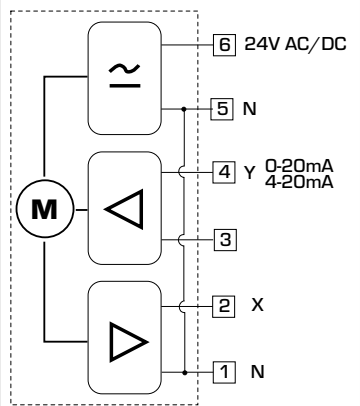
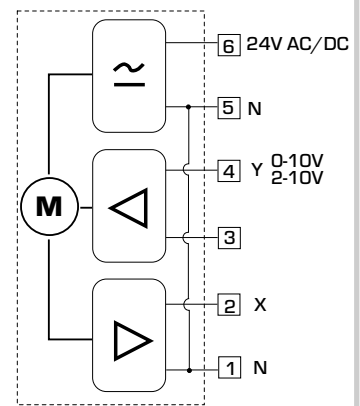
0-10V 0-20mA 2-10V 4-20mA

**Y**

<input type="checkbox"/> 3	<input type="checkbox"/> ON	<input type="checkbox"/> ON	<input type="checkbox"/> ON	<input type="checkbox"/> ON
<input type="checkbox"/> 4	<input type="checkbox"/> ON	<input type="checkbox"/> ON	<input type="checkbox"/> ON	<input type="checkbox"/> ON

**ON**

<input type="checkbox"/> 5	—	SEQ
<input type="checkbox"/> 6	CW	CCW
<input type="checkbox"/> 7		
<input type="checkbox"/> 8		



**ON**

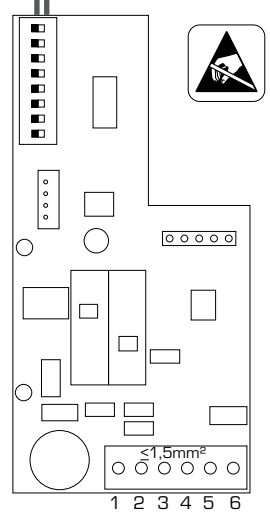
<input type="checkbox"/> 1	<input type="checkbox"/> ON	<input type="checkbox"/> ON	<input type="checkbox"/> ON
<input type="checkbox"/> 2	<input type="checkbox"/> ON	<input type="checkbox"/> ON	<input type="checkbox"/> ON
<input type="checkbox"/> 3	OFF		
<input type="checkbox"/> 4	ON		

120s 60s 30s

3-point 2-point

<input type="checkbox"/> 5	ON		ON
<input type="checkbox"/> 6	ON	CW	CCW
<input type="checkbox"/> 7	OFF	OFF	
<input type="checkbox"/> 8	OFF	OFF	

## SEQ Cntrl



**ON**

<input type="checkbox"/> 1	<input type="checkbox"/> ON	<input type="checkbox"/> ON	<input type="checkbox"/> ON	<input type="checkbox"/> ON
<input type="checkbox"/> 2	<input type="checkbox"/> ON	<input type="checkbox"/> ON	<input type="checkbox"/> ON	<input type="checkbox"/> ON
<input type="checkbox"/> 3	<input type="checkbox"/> ON	<input type="checkbox"/> ON	<input type="checkbox"/> ON	<input type="checkbox"/> ON
<input type="checkbox"/> 4	<input type="checkbox"/> ON	<input type="checkbox"/> ON	<input type="checkbox"/> ON	<input type="checkbox"/> ON

120s 60s 30s 15s

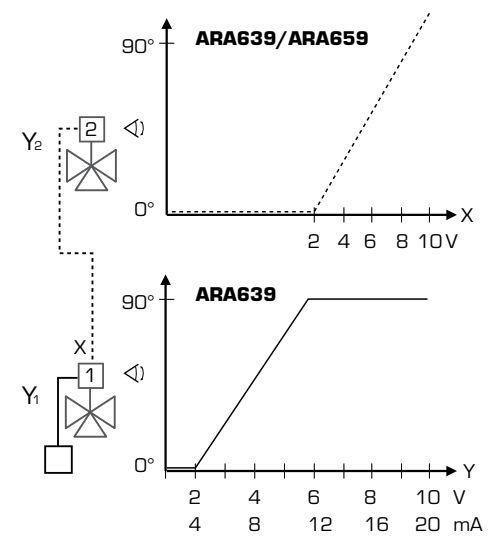
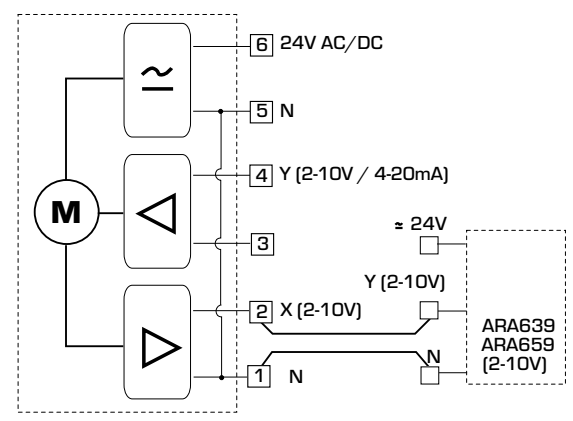
2-10V 4-20mA

**Y**

<input type="checkbox"/> 3	<input type="checkbox"/> ON	<input type="checkbox"/> ON
<input type="checkbox"/> 4	<input type="checkbox"/> ON	<input type="checkbox"/> ON

OFF ON

<input type="checkbox"/> 5	—	SEQ
<input type="checkbox"/> 6	CW	CCW
<input type="checkbox"/> 7		
<input type="checkbox"/> 8		



# Series ARA659



**3-point**

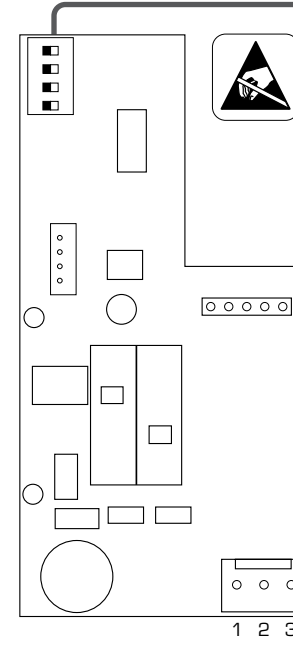
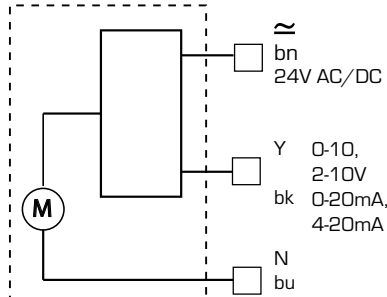
**2-point**

15s



6 CW (24V) AC/DC > 2 s  
 5 N  
 4 CCW (24V) AC/DC > 2 s

6 24V AC/DC  
 5 N  
 4 9-24V DC= HIGH  
 0-2V DC= LOW

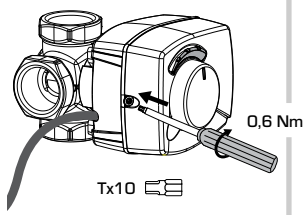


ON	1	120 s	45 s
ON	2	CW	CCW
	3	0-10V	0-20mA
	4	2-10V	4-20mA

**5**



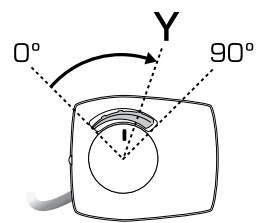
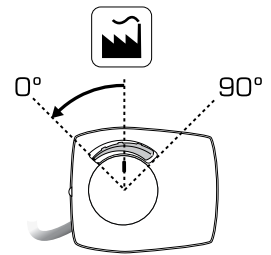
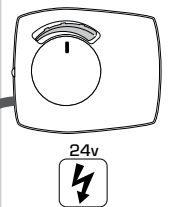
1



2



3



2

1

