

THERMOSTATIC CONTROL UNITS

SOLAR KIT SERIES VMC300

The ESBE thermic solar kit series VMC300 offers dual functionality for tap water applications: It diverts incoming water when additional heating is needed and makes outgoing water scald safe*, all in an easy-to-install solar kit.

OPERATION

ESBE solar kit VMC300 offers optimized energy usage, scald protection and comfort in a compact and efficient way. Using only thermostatic components (non-electrical) the unit is completely independent and provides very easy installation.

Series VMC300 is intended for smaller solar heating systems.

FUNCTION

If the incoming water from the solar collector is not hot enough, it is diverted to an additional heat source, such as a gas boiler, and once it is heated it is mixed to a suitable temperature for domestic hot water applications. If the incoming water from the solar collector is already hot enough, it will be mixed directly for domestic hot water use, efficiently utilizing the solar energy.

*) Scald safe means that in the case of a cold water failure, the hot water supply shuts off automatically.

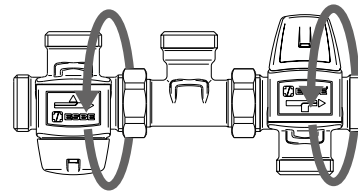


VMC300
External thread

With adapters,
external thread

VALVE VMC300 DESIGNED FOR

- Potable water
- Solar heating



All parts can be rotated 360° for maximum flexibility of connection.

TECHNICAL DATA

Pressure class: _____ PN 10
 Max. flow from collector- VMC300: _____ 0,7 l/s (42 l/min)
 Temperature of water from collector: _____ max 95°C
 _____ min 0°C
 Temperature from additional heat source: _____ max. 95°C
 Change-over point, accuracy: _____ ±1°C
 Diverting range shut off: _____ 45°C ±2°C
 Temperature range, mixing valve - VMC300: _____ 35 - 60°C
 Temperature stability of outgoing water - VMC300: _____ ±2°C*
 Connection: _____ External thread (G), ISO 228/1
 _____ External thread (R), EN 10226-1

* Valid at unchanged hot/cold water pressure, minimum flow rate 4 l/min.
 Minimum temperature difference between hot water inlet and mixed water outlet 10°C.

Material

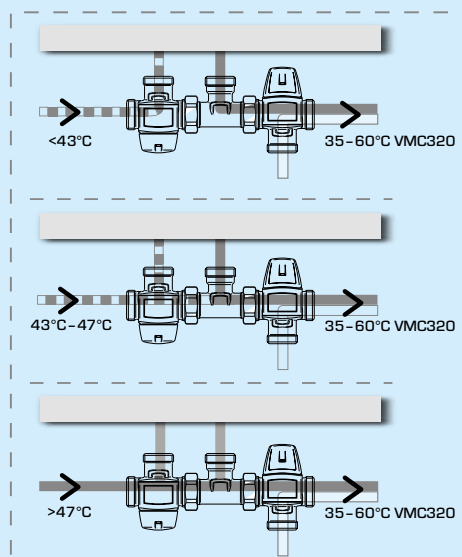
Valve housing and other metal parts with fluid contact:
 _____ Dezincification resistant brass, DZR

PED 2014/68/EU, article 4.3

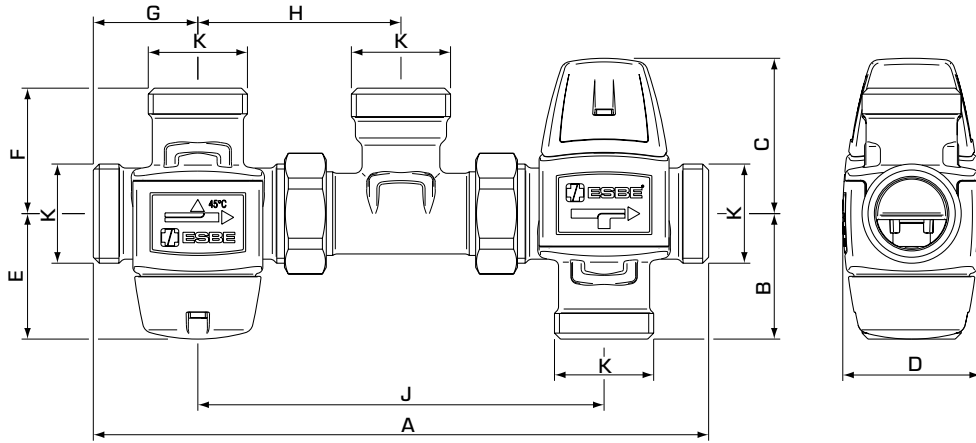
Pressure Equipment in conformity with PED 2014/68/EU, article 4.3 (sound engineering practice). According to the directive the equipment shall not carry any CE-mark.



FLOW PATTERN



SOLAR KIT SERIES VMC300

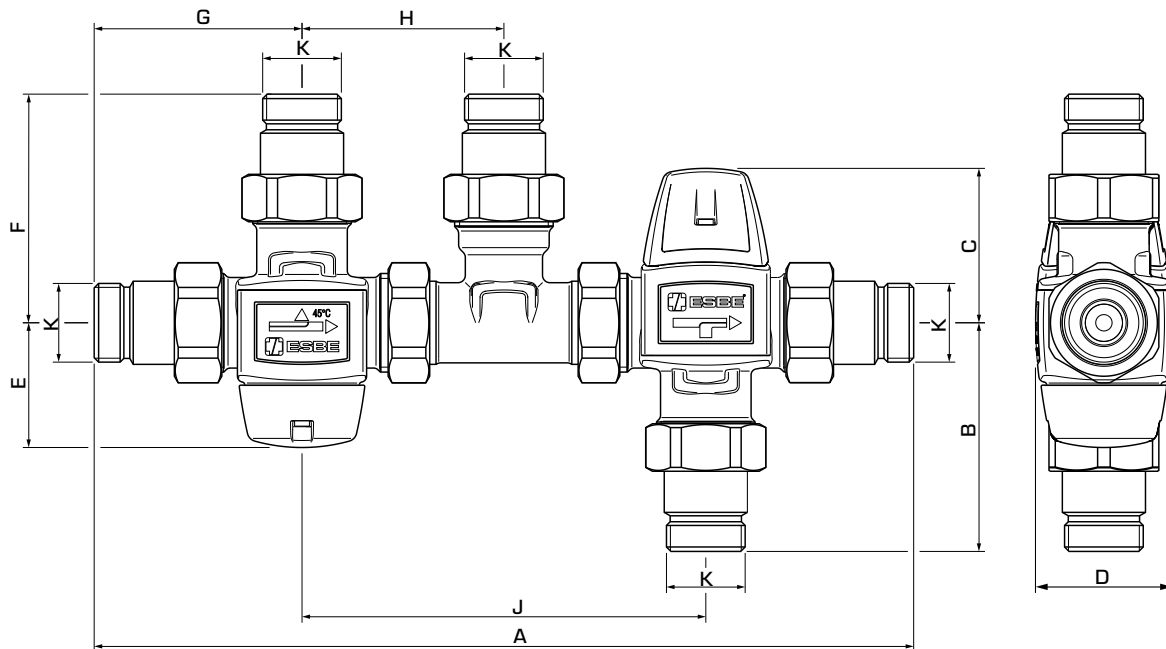


SERIES VMC322, EXTERNAL THREAD

Art. No.	Reference	Change-over point	Kvs *	Connection K	Dimension									Note	Weight [kg]
					A	B	C	D	E	F	G	H	J		
31521000	VMC322	45°C	1,5	G 1"	206	42	52	46	42	42	35	68	136		1,22

* Kvs-value in m³/h at a pressure drop of 1 bar.

SOLAR KIT SERIES VMC300



SERIES VMC322, WITH ADAPTERS

Art. No.	Reference	Change-over point	Kvs *	Connection K	Dimension									Note	Weight [kg]
					A	B	C	D	E	F	G	H	J		
31521300	VMC322	45°C	1,4	R 3/4"	276	77	52	46	42	77	70	68	136	1)	1,86

* Kvs-value in m³/h at a pressure drop of 1 bar. Note 1) Two check valves for both hot and cold water are included

INSTALLATION EXAMPLES

