

CONTROLLERS

# CONTROLLER SERIES CRS130

ESBE series CRS130 is a combined actuator and constant flow temperature controller made especially for PWx (Potable water applications).

### OPERATION

The ESBE series CRS130 is an integrated actuator and controller for primarily use in centralised potable water applications thanks to the response time and position of the sensor. Temperature setting is done by an easy-to-use joystick and display interface and shall be set in accordance with national and local regulations. Adjustable temperature setting within the range of 5 - 95°C.

An alternative target temperature, for example during legionella flushing, can be activated by an external signal.

The basic requirements for a safe tap water system involves the prevention of legionella bacteria and scalding. Hot water needs to be heated to 60°C to prevent the proliferation of legionella bacteria. But a temperature this high will scald people. Therefore is it necessary to reduce the hot water distributed to the user to a lower temperature suitable for use.

Depending on system, application and applicable national laws and directive is it highly recommended to install components to safeguard users from scalding caused by hot tap water during for example legionella flushing. Examples of safeguard components are the ESBE VTA330/360 Series.

### MOUNTING

Power supply by 230 V AC adapter (complete with transformer, cable and plug).

Flow pipe sensor comes with 1m cable and mounting set for assembly the flow pipe sensor into the water pipe. Flow pipe sensor shall be mounted with direct contact with the liquid.

Thanks to the special interface between the controller series CRS100 and the ESBE series VRG, VRH and VRB, the unit as a whole has a unique stability and precision when regulating.



CRS131  
230 VAC

### SUITABLE MIXING VALVES

- Series VRG100
  - Series VRG200
  - Series VRG300
  - Series VRH100
  - Series VRB100
  - Series MG\*
  - Series G
  - Series F ≤ DN50
  - Series BIV
  - Series T and TM
  - Series H and HG
- \* Not 5MG

### ADAPTOR KITS

Required adaptor kits for easily fitting onto an ESBE rotary mixing valve series VRG, VRB and VRH is supplied with each controller. Adaptor kits can also be ordered separately.

Art. No.

16000500 \_\_\_\_\_ ESBE valve series VRG, VRH, VRB, G, MG, F, BIV, T, TM, H, HG

Adaptor kits for other mixing valves are available as follows:

Art. No.

16000600 \_\_\_\_\_ Meibes  
 16000700 \_\_\_\_\_ Watts  
 16000800 \_\_\_\_\_ Honeywell Corona  
 16000900 \_\_\_\_\_ Lovato  
 16001000 \_\_\_\_\_ PAW  
 16001100 \_\_\_\_\_ Wita Minimix, Maximix

### TECHNICAL DATA

Ambient temperature: \_\_\_\_\_ max. +55°C  
 \_\_\_\_\_ min. -5°C  
 Sensors: \_\_\_\_\_ Temperature sensor type NTC  
 Temperature range:  
 Flow pipe sensor: \_\_\_\_\_ +5 to +95°C  
 Enclosure rating: \_\_\_\_\_ IP41  
 Protection class: \_\_\_\_\_ II  
 Power supply: \_\_\_\_\_ 230 ± 10% V AC, 50 Hz  
 Power consumption - 230 V AC: \_\_\_\_\_ 10 VA  
 Torque: \_\_\_\_\_ 6 Nm  
 Running time at max. speed: \_\_\_\_\_ 30s  
 Connection, mounting set: \_\_\_\_\_ External thread (R), EN 10226-1

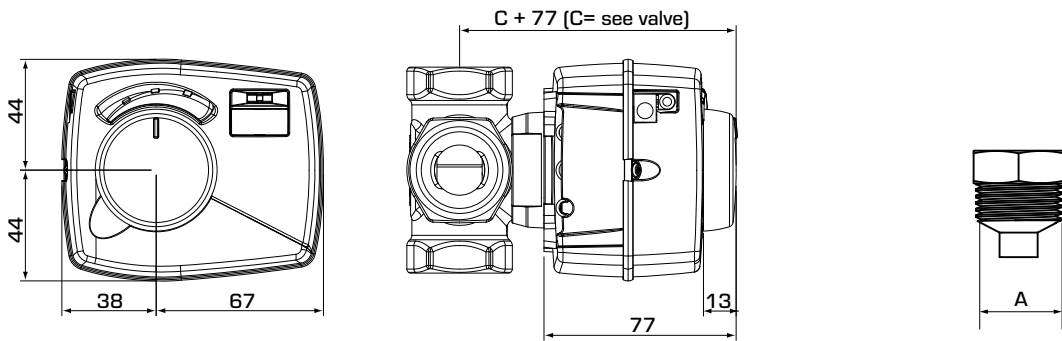
Material  
 Flow pipe sensor: \_\_\_\_\_ Stainless steel  
 Mounting set flow pipe sensor:  
 \_\_\_\_\_ Dezincification resistant brass DZR\*

\* Suitable for drinking water applications

CE LVD 2014/35/EU  
 EMC 2014/30/EU  
 RoHS3 2015/863/EU



# CONTROLLER SERIES CRS130



Installation dimensions for Controller Series CRS130 with ESBE VRG100, VRG200, VRG300, VRH100 and VRB100 mixing valves

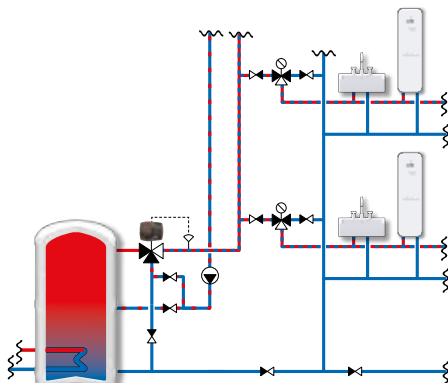
Mounting set

## SERIES CRS130

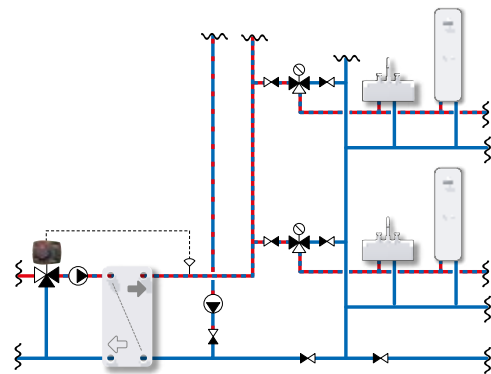
Art. No.	Reference	Voltage [VAC]	Temp. range	Torque [Nm]	Connection A	Weight [kg]	Note
12723100	CRS131	230	5-95°C	6	R 1/2"	0,7	

## INSTALLATION EXAMPLES

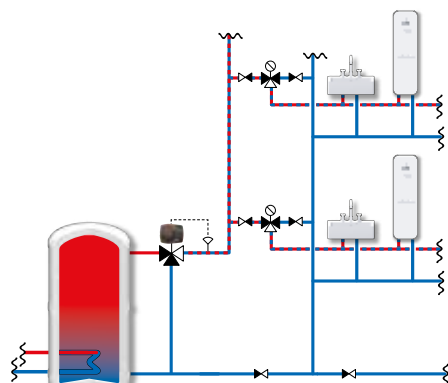
①



③



②



④

