



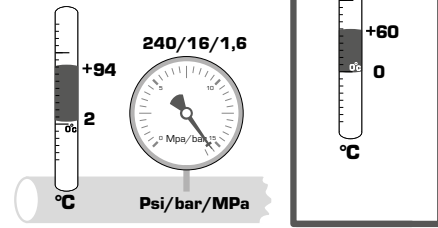
SERIES ZRS200



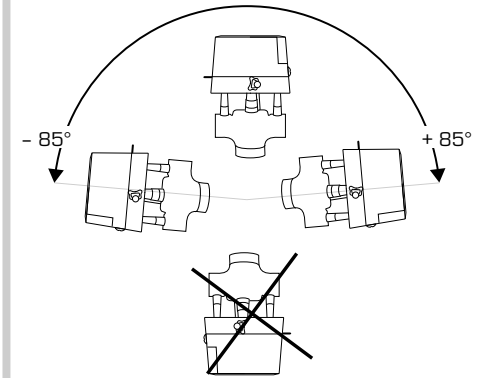
Series ZRS 22x
Series ZRS 23x



LVD 2014/35/EU
EMC 2014/30/EU
RoHS3 2015/863/EU
PED 2014/68/EU, article 4.3



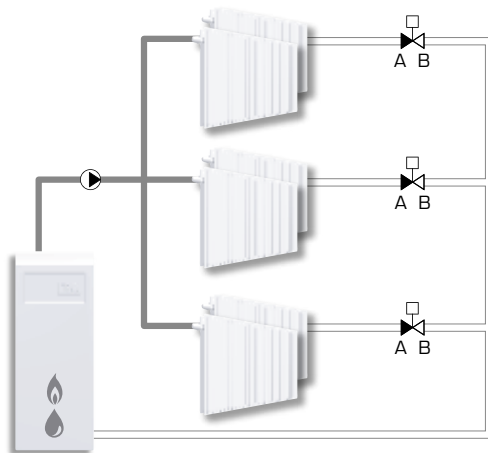
1



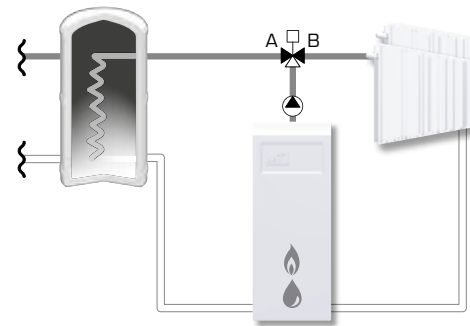
Mtrl.nr: 9814 0985 • Ritn.nr 9284 vers B • Rev 2021-10-26
Printed in EU

i

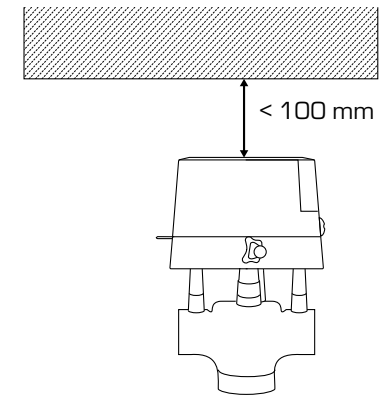
Series ZRS 22x



Series ZRS 23x



2

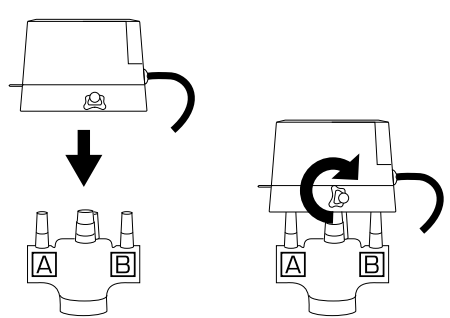
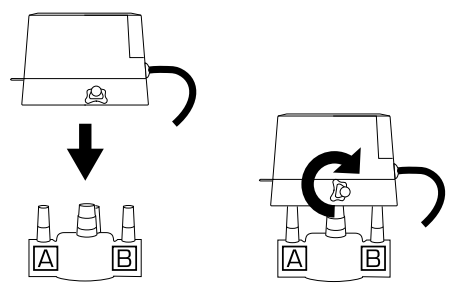
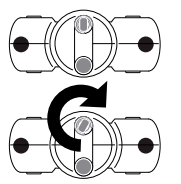
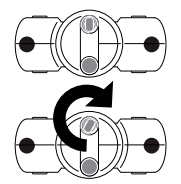


Piping Schematics are General Representations

3

Series ZRS 22x

Series ZRS 23x

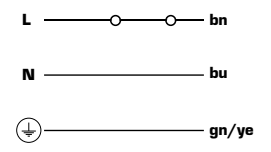
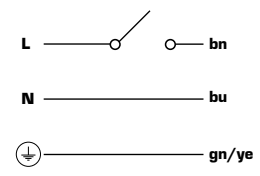
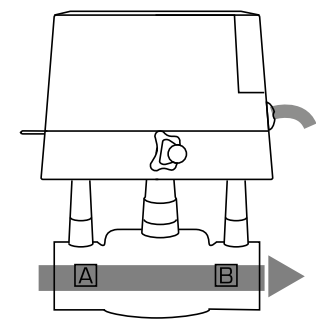
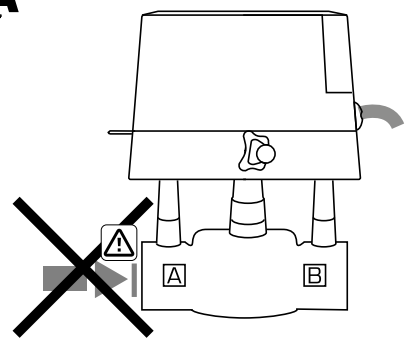


4A

Series ZRS 22x

4B

Series ZRS 22x

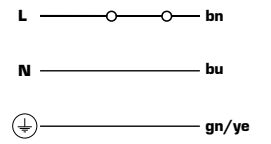
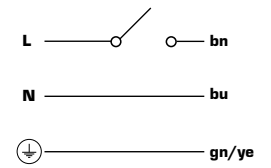
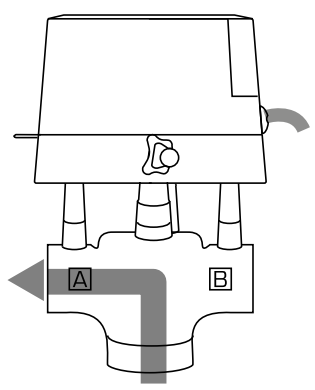
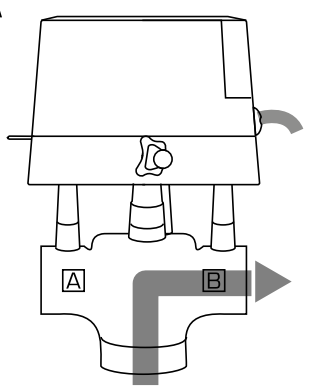


5A

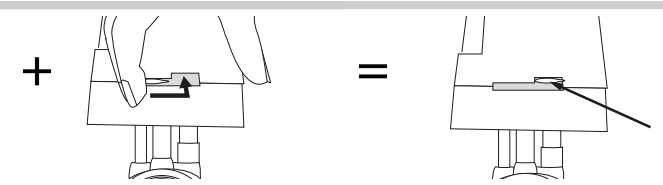
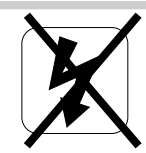
Series ZRS 23x

5B

Series ZRS 23x



i



Series ZRS 22x

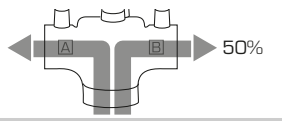
Series ZRS 23x



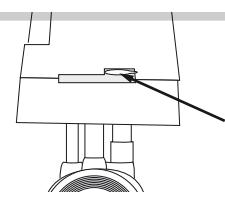
Manual mode =



50%



50%



Series ZRS 22x

Series ZRS 23x



Auto mode =

4A/4B

5A/5B