

THERMOSTATIC CONTROL UNITS
CONNECTION KIT
SERIES KCD300



KCD300
 Compression fitting

Connection kit with compression fittings for use on externally threaded valves.

VERSIONS

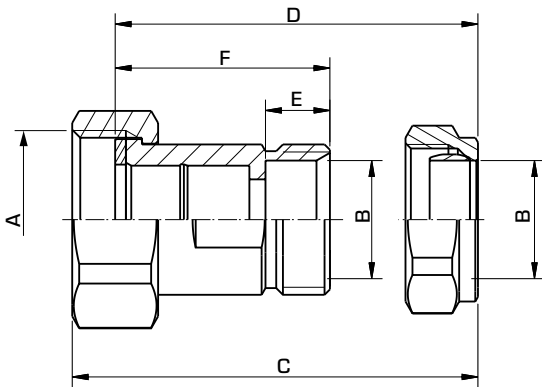
Each package contains two respectively three of each of connection pieces, nuts, gaskets compression rings and compression nuts.

Check valves and surface plating available according to table.

SUITABLE VALVES

The connection kit series KCD300 may most easily be fitted with ESBE thermostatic control units:

- Series VTS522, 552
- Series VTA332, 532
- Series VTA362, 562
- Series VTA322, 522
- Series VTA352, 552
- Series VTA372, 572
- Series VMC312



TECHNICAL DATA

Pressure class: _____ PN10
 Media temperature: _____ max. +120°C
 _____ min. -20°C
 Connection - nipple design: _____ acc. to EN 1254-2
 _____ Internal thread (G), ISO 228/1
 _____ Compression fitting (CPF), EN 1254-2

Material

Nut: _____ Brass CW 614N
 Connection piece: _____ Dezincification resistant brass, DZR*
 Gasket: _____ Klingersil C-4400
 Compression fitting nut: _____ Brass CW 614N
 Compression ring: _____ Dezincification resistant brass, DZR*

* Suitable for drinking water applications

SERIES KCD300, COMPRESSION FITTING (3 CONNECTIONS/PACKAGE)

Art. No.	Reference	Connection		C	Dimension				Note	Weight [kg]
		A	B		D	E	F			
36552900	KCD313	G 1"	CPF 22 mm	54	48	12	40	1)	0.56	

Note 1) Two check valves included CPF = Compression fitting