

CONNECTION KIT SERIES KTD200, KTD300

Connection kit with external thread for use on externally threaded valves.



KTD200
External thread

KTD300
External thread

VERSIONS

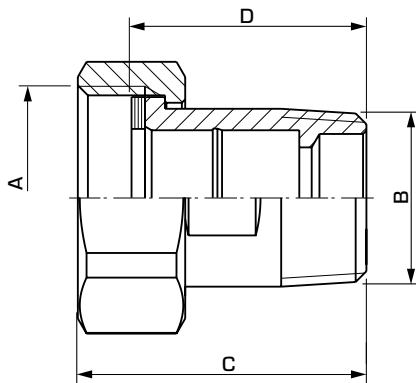
Each package contains three of each of connection pieces, nuts and gaskets.

Check valves available according to table.

SUITABLE VALVES

The connection kit series KTD200 and KTD300 may most easily be fitted with ESBE thermostatic control units:

- Series VTS522, 552
- Series VTA332, 532
- Series VTA362, 562
- Series VTA322, 522
- Series VTA352, 552
- Series VTA372, 572
- Series VMC312



TECHNICAL DATA

Pressure class: _____ PN10
 Media temperature: _____ max. +120°C
 _____ min. -20°C
 Connection - nipple design: _____ acc. to EN 1254-4
 _____ Internal thread (G), ISO 228/1
 _____ External thread (R), EN 10226-1

Material
 Nut: _____ Brass CW 614N
 Connection piece: _____ Dezincification resistant brass, DZR*
 Gasket: _____ Unitec 300

* Suitable for drinking water applications

CE PED 2014/68/EU, article 4.3

UK EAC 4MS/UBA

SERIES KTD212, 312 EXTERNAL THREAD (3 CONNECTIONS/PACKAGE)

Art. No.	Reference	Connection		Dimension		Note	Weight [kg]
		A	B	C	D		
36552200	KTD212	G 1"	R ¾"	43	35	1)	0,36
36552400	KTD312					2)	0,36
36552300	KTD212	G 1¼"	R 1"	48,5	40	1)	0,63
36552500	KTD312					2)	0,63

Note 1) One check valve included 2) Two check valves included