

# MIXING VALVE SERIES VRH130

Series VRH130 is a compact, flexible, low leakage mixing valve designed for installations where space is limited, and is made of high performance brass alloy, PN10. Available with pump flange in combination with external thread connections in DN20.

## OPERATION

ESBE mixing valves series VRH130 is a compact, flexible, low leakage mixing valve in H-configuration designed for installations where space is limited, made of high performance brass alloy, allowing use in heating and cooling installations. Radiator circuit connections with pump flange and boiler connections are included, and the water ways could be exchanged according to the need of the system.

The H-configuration is flexible in width in a range of 90-125mm allowing adapting to the most common parallel piping configurations, and it includes a standard T-piece connection seated on the return side, and a rotary mixing valve always located on the feed line to secure a controlled temperature level.

For easy manual operation the valves are equipped with non-slip knobs and end stops for an operation angle of 90°. The valve position scales can be turned over and rotated, allowing many different mounting positions.

Together with the ESBE Actuators the H-Valve are also easily automated and have extraordinary regulation accuracy thanks to the unique valve-to-actuator interface. For more advanced control functions, the ESBE controllers allows even more applications.

ESBE VRH130 is available in the dimension DN20 with pump flange PF1 1/2" and external thread G1 1/2". Fixed on T-piece on return side and flexible on the mixing valve, to guarantee a flexible change of feed and return line



VRH130  
Flexible configuration 90-125 mm

## VALVE VRH130 DESIGNED FOR

- Heating
- Solar heating
- Comfort cooling
- Ventilation
- Floor heating

## SUITABLE ACTUATORS AND CONTROLLERS

- Series ARA600
- Series 90C
- Series 90\*
- Series CRD100
- Series CRC110, CRC120\*, CRC140
- Series CRB100
- Series CRA110, CRA120\*, CRA140, CRA150

\* Adaptor kit necessary, see product page

## TECHNICAL DATA

Pressure class: \_\_\_\_\_ PN 10  
 Media temperature: \_\_\_\_\_ max. (continuously) 110°C  
 \_\_\_\_\_ max. (temporarily) 130°C  
 \_\_\_\_\_ min. -10°C  
 Torque (at nominal pressure): \_\_\_\_\_ < 3 Nm  
 Leakrate in % of flow\*: \_\_\_\_\_ Mixing, < 0.05%  
 \_\_\_\_\_ Diverting, < 0.02%  
 Working pressure: \_\_\_\_\_ 1 MPa (10 bar)  
 Max. differential pressure drop: \_\_\_\_\_ Mixing, 100 kPa (1 bar)  
 \_\_\_\_\_ Diverting, 200 kPa (2 bar)  
 Close off pressure: \_\_\_\_\_ 200 kPa (2 bar)  
 Rangeability Kv/Kv<sup>min</sup>, A-AB: \_\_\_\_\_ 100  
 Connections: \_\_\_\_\_ External thread, ISO 228/1

\* Differential pressure 100kPa (1 bar)

### Material

Valve body, T-piece, connectors:

\_\_\_\_\_ Dezincification resistant brass, DZR

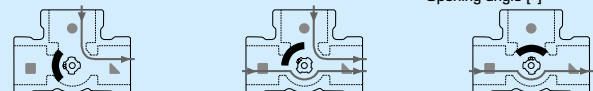
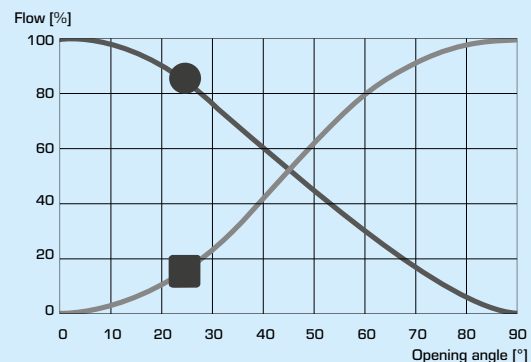
Slide shoe: \_\_\_\_\_ Abrasion resistant brass

Shaft and bushing: \_\_\_\_\_ PPS composite

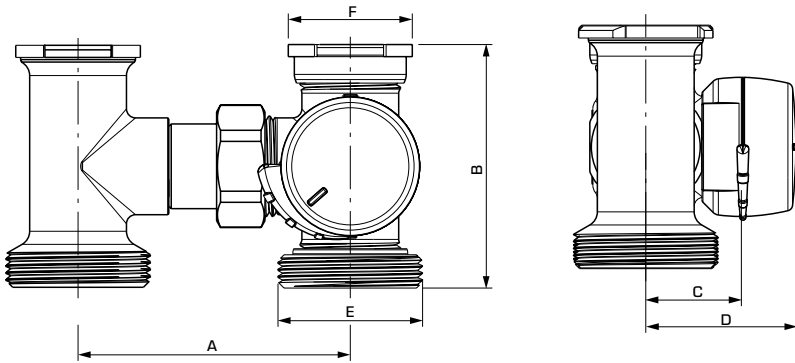
O-rings: \_\_\_\_\_ EPDM

PED 2014/68/EU, article 4.3

## VALVE CHARACTERISTICS



# MIXING VALVE SERIES VRH130

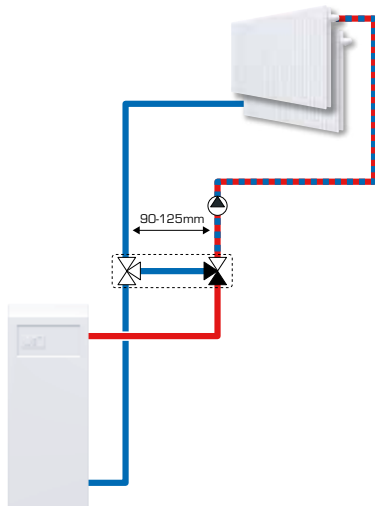


## SERIES VRH139, PUMP FLANGE AND EXTERNAL THREAD

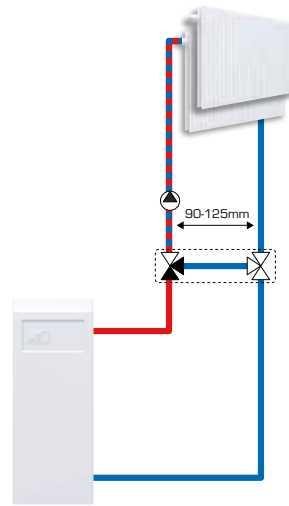
Art. No.	Reference	DN	Kvs*	Connection		A	B	C	D	Weight [kg]	Note
				E	F						
11720100	VRH139	20	2.5	G 1½"	PF 1½"	90 - 125	80	32	50	1.20	
11720200			4								
11720300			6.3								

\*Kvs-value in m<sup>3</sup>/h at a pressure drop of 1 bar. Flow chart, see product catalogue.

## INSTALLATION EXAMPLES



Feed line, right hand side



Feed line, left hand side