

ZONE VALVES

# MOTORIZED ZONE VALVE SERIES ZRS120



ZRS120

The ESBE Series ZRS120 consists of motorized spring return 2-way zone valves available in DN 15-32, PN16 with internal thread connection.

### OPERATION

The ESBE Series ZRS120 is a range of 2-way motorized zone valve with spring return actuator for use in heating and cooling system. The valve can easily be manually operated by the lever on the side of the actuator.

The actuator is controlled by 2-point signal with spring return function and is recommended for on/off function, available for 230V AC, 50/60 Hz power supply.

Actuator is assembled on the valve with a screw attachment that allows to assembly/disassembly the actuator in a secure, simple and rapid way even when system is pressurized.

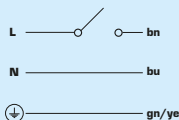
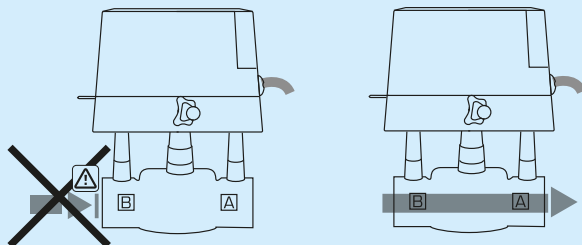
### TECHNICAL DATA

**Valve:**

Pressure class: \_\_\_\_\_ PN 16  
 Media temperature: \_\_\_\_\_ max. +94°C  
 \_\_\_\_\_ min. +2°C  
 Media: \_\_\_\_\_ Water / Glycol mixtures, max. 50%.  
 (above 20% admixture, the pump data must be checked)  
 Working pressure: \_\_\_\_\_ 1.6 MPa (16 bar)  
 Max. differential pressure: \_\_\_\_\_ see diagram  
 Connections: \_\_\_\_\_ Internal thread (G), ISO 228/1 B

Material  
 Valve body: \_\_\_\_\_ Brass CW 614N  
 Ball: \_\_\_\_\_ NBR  
 O-rings: \_\_\_\_\_ EPDM

### WIRING

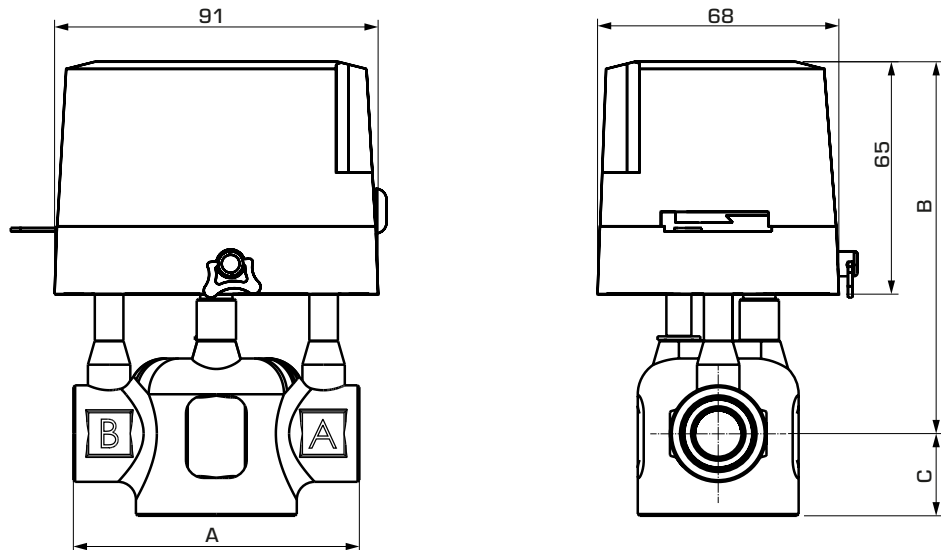


**Actuator:**

Ambient temperature: \_\_\_\_\_ max. +60°C  
 \_\_\_\_\_ min. 0°C  
 Enclosure rating: \_\_\_\_\_ IP44  
 Protection class: \_\_\_\_\_ I  
 Connection cable: \_\_\_\_\_ 1 meter  
 Power supply: \_\_\_\_\_ 230 V AC, 50/60 Hz  
 Control signal: \_\_\_\_\_ 2-point (2-wire spring return)  
 Power consumption: \_\_\_\_\_ 6 VA  
 Running time, opening: \_\_\_\_\_ 15 seconds  
 closing: \_\_\_\_\_ 5 seconds

CE LVD 2014/35/EU  
 EMC 2014/30/EU  
 RoHS 2011/65/EU  
 PED 2014/68/EU, article 4.3

# MOTORIZED ZONE VALVE SERIES ZRS120



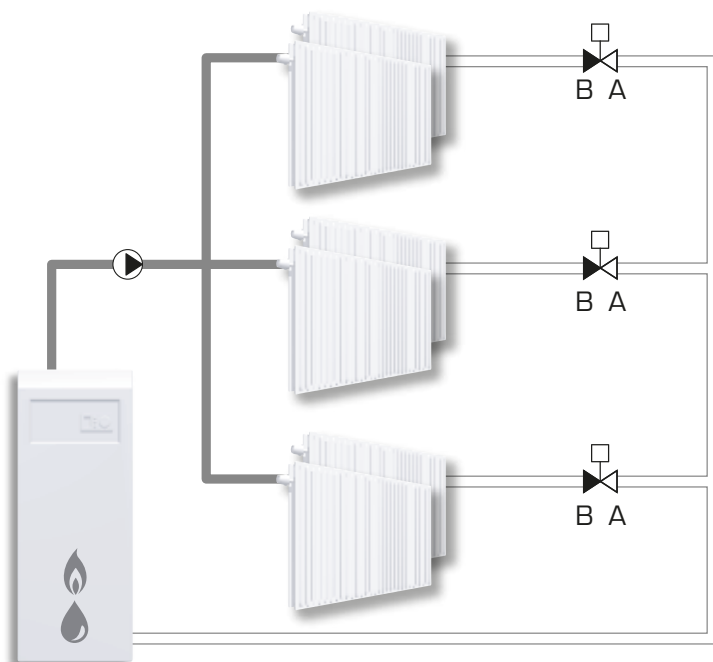
ZRS120

## SERIES ZRS124, INTERNAL THREAD

Art. No.	Reference	DN	Kvs*	Max. differential pressure [kPa]	Connection	A	B	C	Weight [kg]	Note
43120100	ZRS124	15	3.2	200	G 1/2"	80	103	21	1.01	
43120200		20	4.6	150	G 3/4"	89			1.05	
43120300		25	5.7	100	G 1"	93	23	1.13		
43120400		32	10	80	G 1 1/4"	105	110	30	1.50	

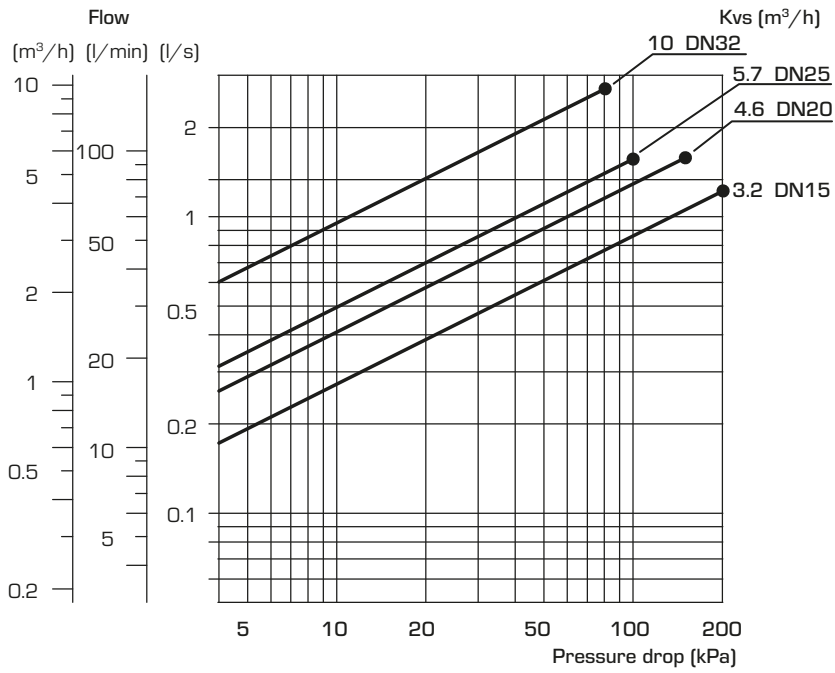
\* Kvs-value measured as m<sup>3</sup>/h at a pressure drop of 1 bar.

## INSTALLATION EXAMPLES



# MOTORIZED ZONE VALVE SERIES ZRS120

## PRESSURE DROP DIAGRAM



● = max differential pressure drop allowed