

COMPLEMENTARY PRODUCTS

SAFETY VALVE SERIES VSB300

ESBE safety valves series VSB300 are intended for protection against excess pressure in solar heating applications.

Internally threaded inlet and outlet connections in DN15.



Internal thread

OPERATION

ESBE safety valves series VSB300 are used to secure solar heating systems with temperatures up to 160°C against excess pressure. When choosing safety valve the effect marking on the safety valve must exceed the nominal effect of the vessel. ESBE safety valves carry CE-marking.

If the temperature of the heating medium is lower than the boiling temperature corresponding to the maximum allowed pressure of the heater, the safety valve needs only to be dimensioned for the thermic expansion of the water. If the temperature of the heating medium is higher than the boiling temperature corresponding to the maximum allowed pressure of the heater, the valve must be dimensioned to discharge the whole steam flow at the maximum added effect. The maximum capacity of heaters for which it is intended is marked on the safety valve.

MOUNTING

If several heaters/solar panels are used, and if they may be shut off independently of each other, each heater should be equipped with a safety valve. In order to observe the valve in operation, the installation of a funnel is always recommended, and in some instances also mandatory. Please make sure all installations of valves, exhaust pipes, funnels etc are made in accordance with applicable codes and ordinances.

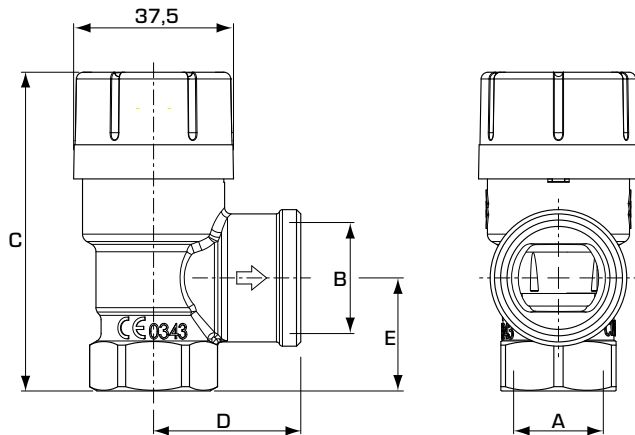
TECHNICAL DATA

Pressure class: _____ PN 16
 Temperature: _____ max. (continuously) +120°C
 _____ max. (temporarily) +160°C
 _____ min. -10°C
 Connection: _____ Internal thread (G), ISO 228/1
 _____ Internal thread (Rp), EN 10226-1

Material

Valve housing and other metal parts with fluid contact:
 _____ Brass CW 617N

CE PED 2014/68/EU



SERIES VSB311, INTERNAL THREAD

Art. No.	Reference	Opening pressure		Blow-off capacity*		DN	Connection			Weight [kg]		
		[MPa]	[bar]	[kW] ¹⁾	[a _w] ²⁾		A	B	C		D	E
3602 50 00	VSB311	0.35	3.5	50	0.58	15	G 1/2"	Rp 3/4"	74.7	34.5	26.5	0.16
3602 51 00		0.6	6.0									

* given at specified pressure +20%

Note 1) Acc. to TRD 721 § 7.2.4.2 2) Acc. to TRD 721 § 6.2.5