

THERMOSTATIC CONTROL UNITS  
**CONNECTION KIT**  
**SERIES KSD300**

Connection kit with solder connection for use on externally threaded valves.



KSD300  
Soldering type

**VERSIONS**

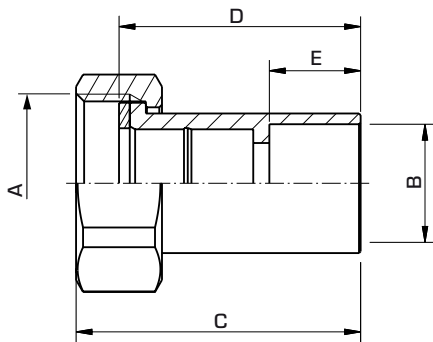
Each package contains three of each of connection pieces, nuts and gaskets.

Check valves available according to table.

**SUITABLE VALVES**

The connection kit series KSD300 may most easily be fitted with ESBE thermostatic control units:

- Series VTS522, 552
- Series VTA332, 532
- Series VTA362, 562
- Series VTA322, 522
- Series VTA352, 552
- Series VTA372, 572
- Series VMC312



**TECHNICAL DATA**

Pressure class: \_\_\_\_\_ PN10  
 Media temperature: \_\_\_\_\_ max. +120°C  
 \_\_\_\_\_ min. -20°C  
 Connection - nipple design: \_\_\_\_\_ acc. to EN 1254-1  
 \_\_\_\_\_ Internal thread (G), ISO 228/1

**Material**

Nut: \_\_\_\_\_ Brass CW 614N  
 Connection piece: \_\_\_\_\_ Dezincification resistant brass, DZR\*  
 Gasket: \_\_\_\_\_ Klingsil C-4400

\* Suitable for drinking water applications

**SERIES KSD300, FITTINGS SOLDERING TYPE (3 CONNECTIONS/PACKAGE)**

Art. No.	Reference	Connection		Dimension			Note	Weight [kg]
		A	B	C	D	E		
3655 34 00	KSD314	G 1"	22 mm	53	45	17	1)	0.42

Note 1) Two check valves included