

MIXING VALVE SERIES T, TM

ESBE 4-way valves Series T and TM are specially designed for factory fitting to boilers. 4T, DN20-25, cast iron, PN 6. Internal thread. 4 TM, DN 20, brass, PN 10. External thread or with compression fittings.

OPERATION

The T/TM valves have the two ports for the boiler side in a single flange.

The T/TM valves have a double mixing function, i.e. a proportion of the hot water supplied from the boiler is mixed with the return water. This results in a higher return water temperature reducing the risk of corrosion and assuring a longer life for the boiler. They are designed to provide good control characteristics and reliability in operation.

The valves can be equipped with ESBE actuators series ARA600 and series 90. The valves may also be equipped with ESBE controllers series CRA110, CRB100 and CRC110. Valves series TM may also be equipped with controllers series 90C.

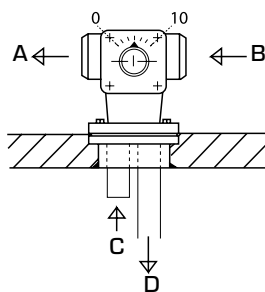
SERVICE AND MAINTENANCE

All major parts are replaceable. The shaft seal consist of two o-rings, one of which can be replaced without the need for draining down the system or dismantling the valve. However, before doing so, the system must be depressurized.

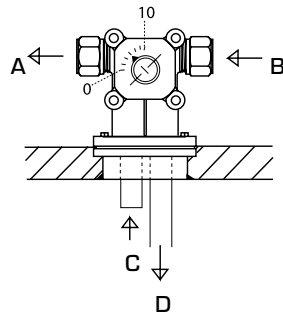
TYPICAL INSTALLATION

A = riser B = return
C = riser, boiler D = return to boiler

The scale plate is printed on both sides allowing inverted installation.



Series T



Series TM



TM
External thread

Compression fitting

T
Internal thread

VALVE T/TM DESIGNED FOR

- Heating

SUITABLE ACTUATORS AND CONTROLLERS

- Series ARA600
- Series 90
- * Not series T
- Series 90C*
- Series CRC110
- Series CRB100
- Series CRA110

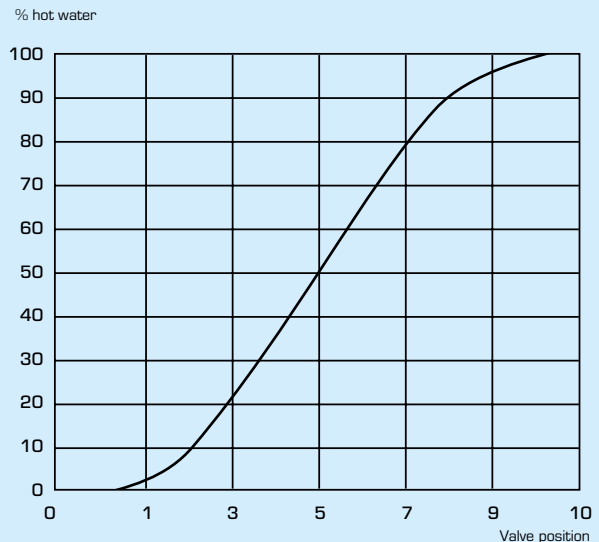
TECHNICAL DATA

Pressure class: _____ Series T, PN 6
 _____ Series TM, PN 10
 Temperature: _____ max. 110°C
 _____ min. -10°C
 Operation angle: _____ 90°
 Torque: _____ Series T, 5 Nm
 _____ Series TM, 3 Nm
 Leakrate in % of flow: _____ max. 1,5%
 Connections: _____ Internal thread, EN 10226-1
 _____ External thread, ISO 228/1
 _____ Compression fitting, EN 1254-2

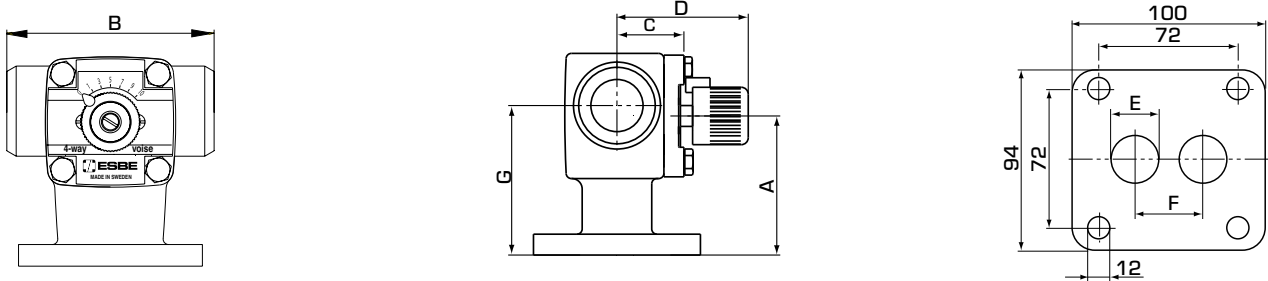
Material
 Body: Series T _____ Cast iron EN-JL 1030
 Series TM _____ Brass CW 614N
 Slide/Spindle: _____ Brass CW 614N
 Bushing: _____ Plastic
 Cover plate: _____ Zinc
 O-rings: _____ EPDM

PED 2014/68/EU, article 4.3

VALVE CHARACTERISTICS



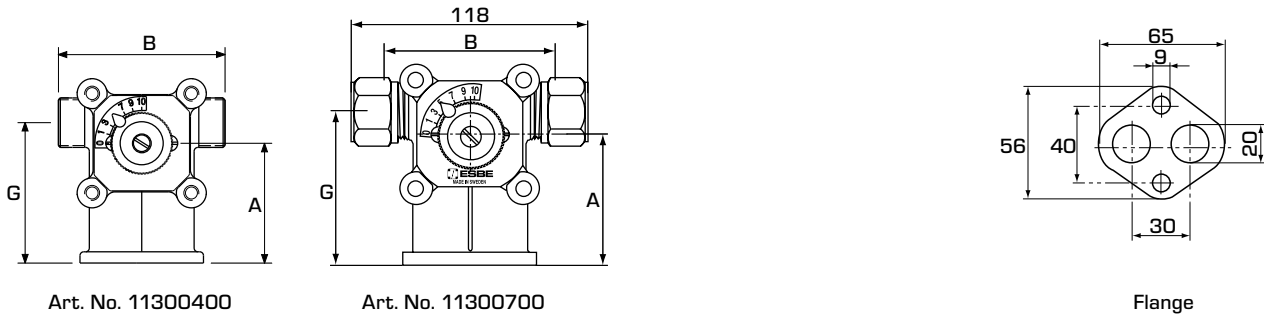
MIXING VALVE SERIES T, TM



SERIES T, INTERNAL THREAD

Art. No.	Reference	DN	Kvs*	Connection	A	B	C	D	E	F	G	Weight [kg]
11300900	T 20	20	8	Rp 3/4"	80	115	39	76	20	35	86	2,7
11301000	T 25	25	10	Rp 1"	80	115	39	76	25	35	86	2,7

* Kvs-value in m³/h at a pressure drop of 1 bar. Flow chart, see product catalogue.



Art. No. 11300400

Art. No. 11300700

Flange

SERIES TM, EXTERNAL THREAD

Art. No.	Reference	DN	Kvs*	Connection	A	B	C	D	G	Note	Weight [kg]
11300400	TM 20	20	5,5	G 3/4"	64	85	39	76	75		0,90

SERIES TM, COMPRESSION FITTING

Art. No.	Reference	DN	Kvs*	Connection	A	B	C	D	G	Note	Weight [kg]
11300700	TM 20	20	5,5	CPF 22 mm	64	85	39	76	75	G 1/2" in base connection	1,14
11300600				CPF 22 mm		85					

* Kvs-value in m³/h at a pressure drop of 1 bar. Flow chart, see product catalogue. CPF = compression fitting