

## CONTROLLERS

# CONTROLLER UPGRADE KIT SERIES CRU100

ESBE series CRU100 is an upgrade kit to already installed ESBE controllers permitting connection with ESBE Comfort Control cloud service, powered by Ngenic Tune\*.

## OPERATION

Upgrading your already installed ESBE CRx controller, manufactured 2016 or later, with the CRU100, the old system will be connected to our Comfort Control cloud service, powered by Ngenic Tune\*.

The indoor sensor checks your indoor temperature and the sunlight that affects your house on the inside. At the same time, the control box and the outdoor sensor checks the outdoor temperature. The information is sent to the gateway, forwarding the information to the cloud where the data is processed together with other information such as weather conditions and user input. The control box collects control parameters and sends them to the controller which adapt the heating system in an optimal way.

The user can easily schedule vacations and planned absence in the Comfort control app giving the user possibility to affect the savings in the system even more.

## CONTENT

The CRU100 consists of three parts:

### - Gateway

Connect it to your router or modem using a regular Internet (Ethernet) cable (included with the product).

### - Wireless Indoor sensor

Uses AAA batteries (included with the product) and should be installed on a wall in, for example, living room. The sensor should not be exposed with direct sunlight, but needs to be able to detect light.

### - Control box

Communicates with your heating system and makes sure that the system provides maximum comfort at minimum cost.

## INSTALLATION

Install the cellphone application, connect the gateway to your router, connect the control box to your old ESBE controller and install the wireless indoor sensor and your system is connected and accessible from where ever you are in the world. Continuous access to the internet is a requirement.



CRU111

## TECHNICAL DATA

### Gateway

Input/Output: \_\_\_\_\_ Ethernet RJ-45, Micro-USB  
Power supply: \_\_\_\_\_ Micro-USB 5V. Used with AC/DC adapter  
100-240V 50/60HZ (Included)  
Communication: \_\_\_\_\_ 10/100BASE-TX Ethernet, IEEE 802.15.4  
Enclosure rating: \_\_\_\_\_ IP41  
Ambient temperature: \_\_\_\_\_ 0 to +40°C  
Ambient humidity: \_\_\_\_\_ 0% RH to 90% RH  
Material: \_\_\_\_\_ Plastic (ABS), white

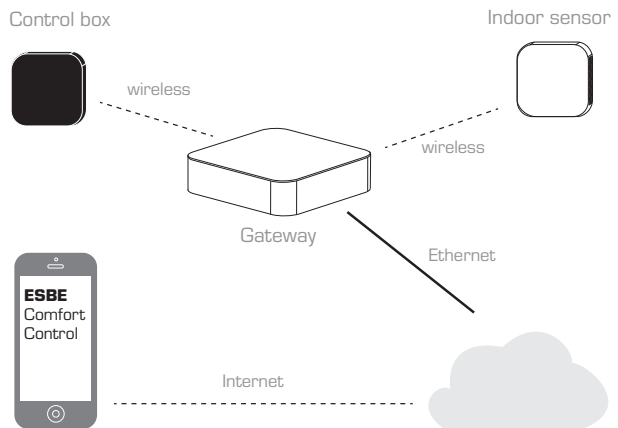
### Wireless indoor sensor

Power supply: \_\_\_\_\_ 3x 1,5 V LRO3/AAA batteries  
Communication: \_\_\_\_\_ IEEE 802.15.4

### Control box

Input/Output: \_\_\_\_\_ 3,5mm plug  
Communication: \_\_\_\_\_ IEEE 802.15.4  
Ambient temperature: \_\_\_\_\_ 0 to +40°C  
Material: \_\_\_\_\_ Plastic (ABS), black

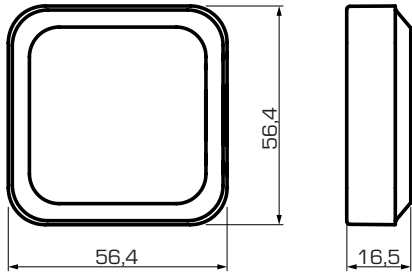
CE RED 2014/53/EU  
RoHS 2011/65/EU



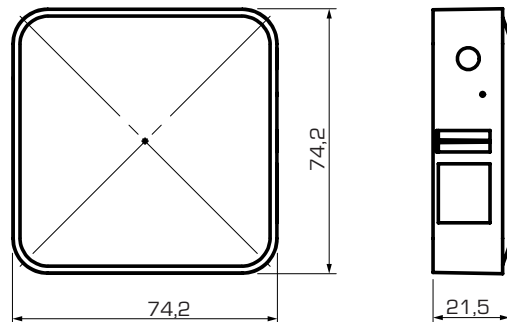
\* Ngenic Tune is a third party solution provider.

CONTROLLERS

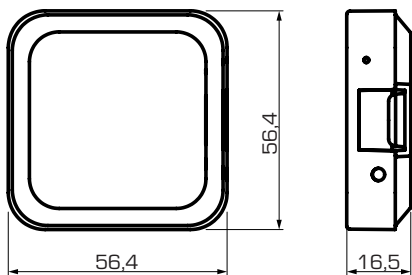
# CONTROLLER UPGRADE KIT SERIES CRU100



Indoor sensor



Gateway



Control box

## SERIES CRU100

Art. No.	Reference	Weight	Note
12850100	CRU111	0,53	