

## Adapter Series ALA



Adapter Art. No. 2600 05 00

SAUTER valves:

B6F, B6G, B6R, B6S; DN 15 - 50

BXD, BXE; DN 15 - 50

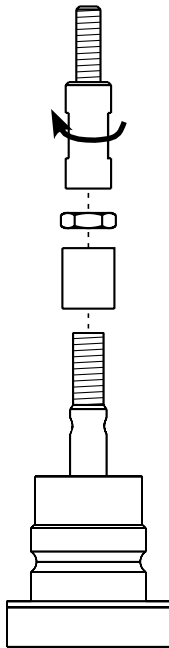
V6F, V6G, V6R, V6S; DN 15 - 50

VXD, VXE; DN 15 - 50

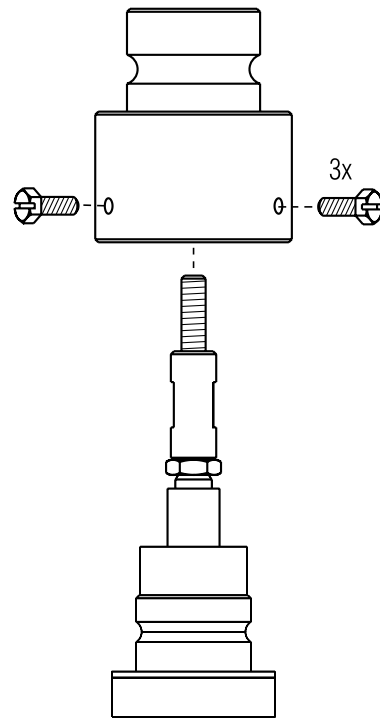
Art.Nr. 9814 02 05 • Ritn.Nr. 3625 utg. B • Rev. 0610

**A**

1)



2)



**B**

Fits valves with stem neck dimensions:

