

ACTUATOR SERIES ARC600

ESBE Actuator Series ARC600 is a rotary actuator with 60Nm torque and an operating range of 90° suitable for the ESBE butterfly valves DN80-125. The ARC600 actuator can also be used as damper actuator for dampers up to 10 m². The actuator is available in 24V AC/DC or 230V AC/DC versions with 2-point, 3-point or proportional signal control.

APPLICATION

The ESBE series ARC600 is an actuator suitable for both ESBE butterfly valves as well as damper applications. Thanks to the high torque ARC600 is recommended to work with the largest valves DN80-125 and with dampers sizes up to 10m².

VERSIONS

The series consist of 2 different versions:

- ARC661 with 2-point / 3-point control signal, 230V AC/DC power supply and 1 meter preassembled cable.
- ARC669 with proportional control signal (Y) (0-10V, 2-10V, 0-20mA, 4-20mA), 24V AC/DC power supply and 1 meter preassembled cable. The version has a 0(2)-10V feedback signal (U) based on the real position.

All versions can be manually operated by the self-resetting pushbutton (the gearbox remains disengaged as long as the pushbutton is pressed). Proportional control signal and feedback signal will be adjusted to the new operating range when calibration/adaptation process is performed.



ARC600

SUITABLE VALVES AND DAMPERS

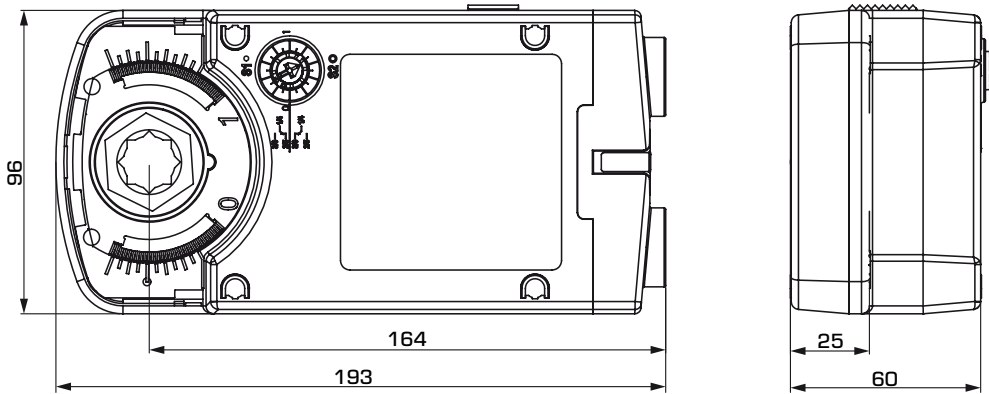
Together with the valve assembly kit supplied with the actuator, the ARC600 is easily mounted on the ESBE Butterfly valve series VBF100 from size DN80 to DN125.

TECHNICAL DATA

Ambient temperature: _____ max. +50°C
 _____ min. -30°C
 Ambient humidity: _____ 5...95% r.H. non-condensating
 Power supply: _____ 24V AC (50/60 Hz), 24V DC
 _____ 230V AC (50/60 Hz), 230V DC
 Nominal voltage range: _____ 19...29V AC/DC,
 _____ 85...265V AC/DC
 Power consumption, running: 24V _____ 13,5 W
 _____ 230V _____ 13,0 W
 Power consumption, standby: 24V _____ 1,5 W
 _____ 230V _____ 2,0 W
 Wiring sizing: 24V _____ 16,5 VA
 _____ 230V _____ 20,0 VA
 Enclosure rating: _____ IP54
 Protection class: 24V _____ III
 _____ 230V _____ II
 Torque: _____ 60Nm
 Running time: _____ 150s/90°
 Cable length: _____ 1m
 Weight: _____ 1,7 kg

CE LVD 2014/35/EU
 EMC 2014/30/EU
 RoHS 2011/65/EU

ACTUATOR SERIES ARC600

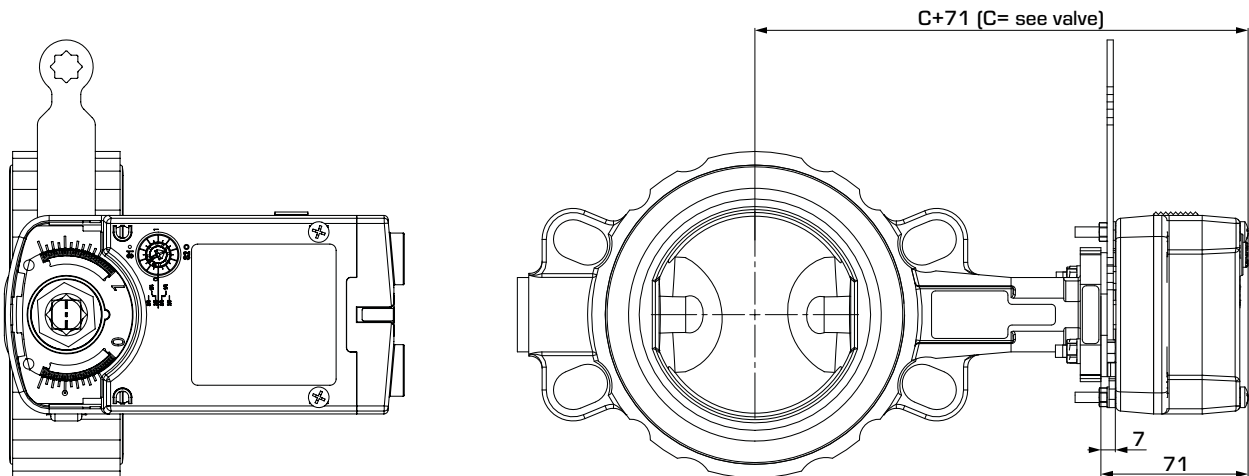


Actuator Series ARC600

SERIES ARC600

Art. No.	Reference	Voltage [V AC/DC]	Running time 90° [s]	Control signal	Torque [Nm]	Note
12202100	ARC661	230	150	2-point SPST/ 3-point SPDT*	60	
12221100	ARC669	24	150	Proportional**	60	

* 2-point SPST = Single Pole Single Throw; 3-point SPDT = Single Pole Double Throw ** Proportional = 0-10 V, 2-10 V, 0-20 mA, 4-20 mA

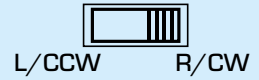
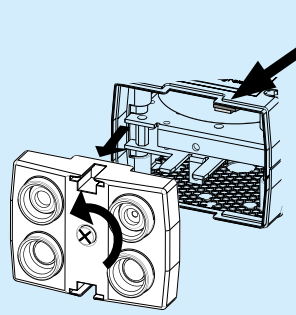
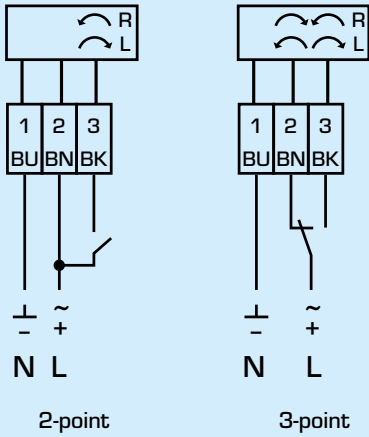


Installation dimensions for Actuator Series ARC600, with valve assembly kit

ACTUATOR SERIES ARC600

WIRING

Electrical connection ARC661 (2-point/ 3-point)



CCW = Counter clockwise working direction
CW = Clockwise working direction

Electrical connection ARC669 (Proportional)

