

**STEM HEATER
SERIES ALF802**

ESBE
NO.1 IN HYDRONIC SYSTEM CONTROL



Series ALF802

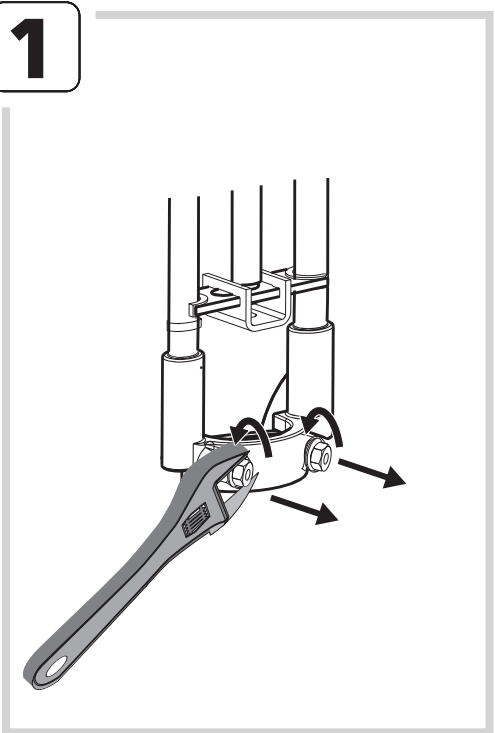
CE

EMC 2004/108/EC valid until April 19th 2016
EMC 2014/30/EU valid from April 20th 2016
RoHS 2011/65/EU

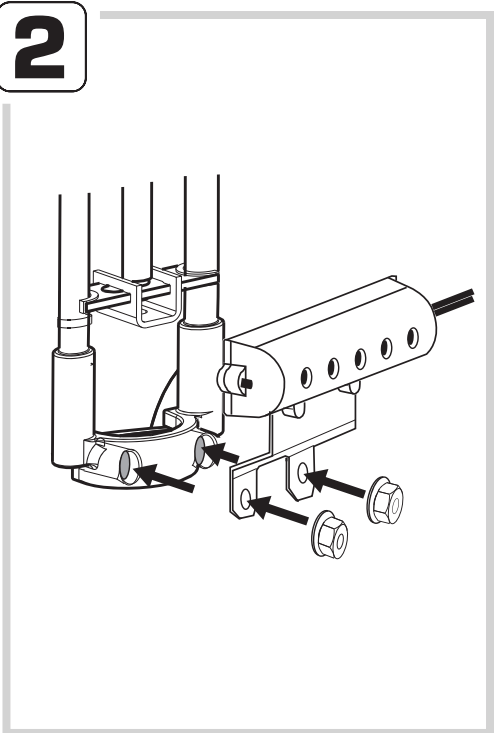


Mtr.nr: 9814 09 67 • Ritn.nr: 8475 utg. A • Rev. 1511

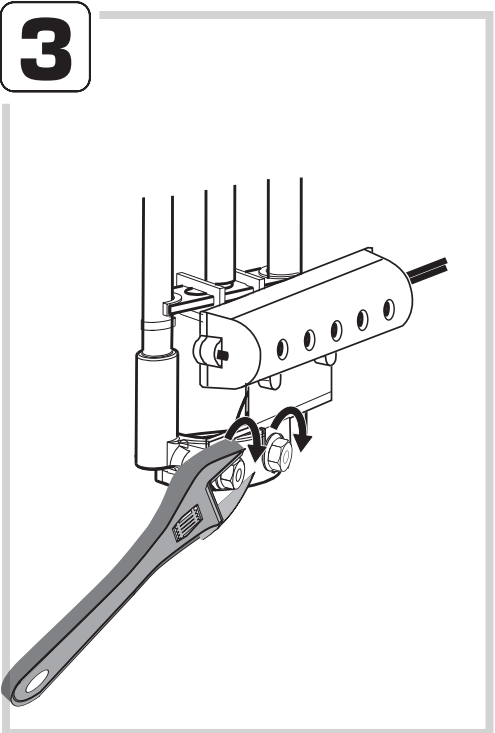
1



2



3



4

