



**ADAPTOR KIT ALA823**

Art.Nr: 9814 02 04 Ritn.Nr: 3624 utg. C • Rev. 1605

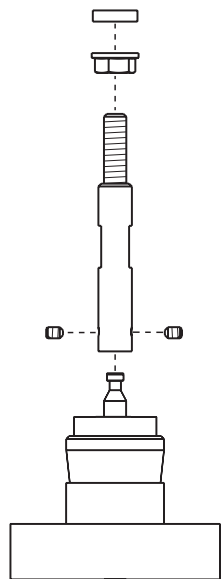


Series ALA  
Series ALFxx1  
Series ALFxx4

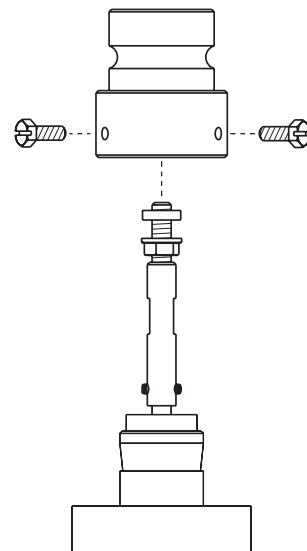


Adapter Art. No 26000400  
DANFOSS valves:  
VF2, VF3, VL2, VL3, VRG3,  
VRB2, VRB3

**1**

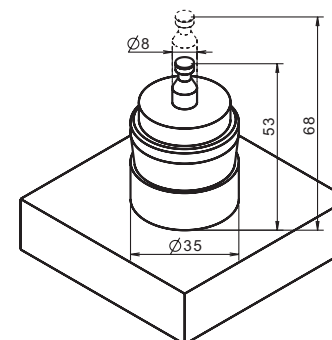


**2**



**3**

Fits valves with stem neck dimensions:



**4**