

**ADAPTERKIT
SERIES VLB891**

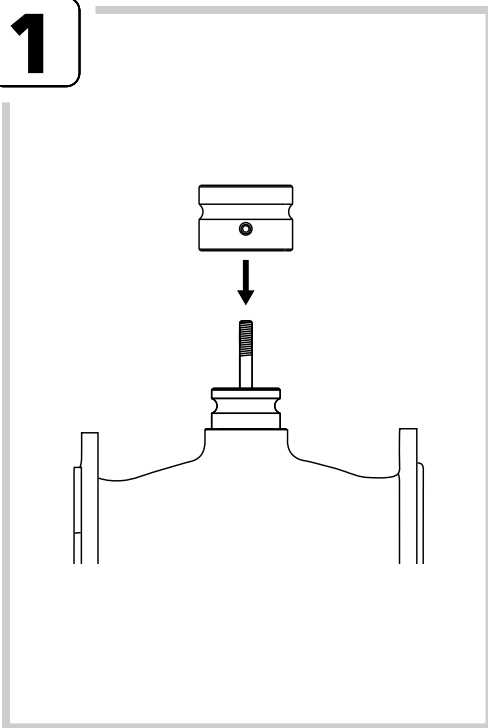


Series VLB891

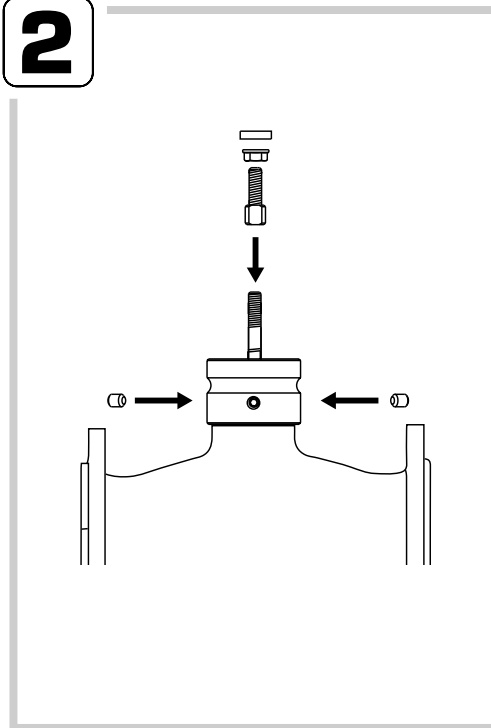


Mtrl.nr: 9814 09 35 • Ritn.nr: 3894 utg. A • Rev. 1506

1



2



3

