

THERMOSTATIC CONTROL UNITS
CONNECTION KIT
SERIES KCD300

Connection kit with compression fittings for use on externally threaded valves.



KCD300
 Compression fitting Compression fitting, plated

VERSIONS

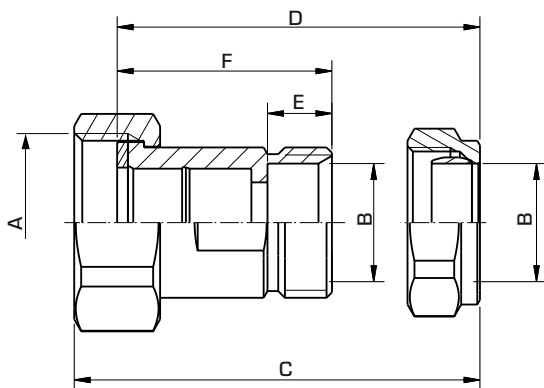
Each package contains two respectively three of each of connection pieces, nuts, gaskets compression rings and compression nuts.

Check valves and surface plating available according to table.

SUITABLE VALVES

The connection kit series KCD300 may most easily be fitted with ESBE thermostatic control units:

- Series VTS522, 552
- Series VTA332, 532
- Series VTA362, 562
- Series VTA322, 522
- Series VTA352, 552
- Series VTA372, 572
- Series VMC312



TECHNICAL DATA

Pressure class: _____ PN10
 Media temperature: _____ max. +120°C
 _____ min. -20°C
 Connection - nipple design: _____ acc. to EN 1254-2
 _____ Internal thread (G), ISO 228/1
 _____ Compression fitting (CPF), EN 1254-2

Material

Nut: _____ Brass CW 614N
 Connection piece: _____ Dezincification resistant brass, DZR*
 Gasket: _____ Klingersil C-4400
 Compression fitting nut: _____ Brass CW 614N
 Compression ring: _____ Dezincification resistant brass, DZR*
 Surface treatment: _____ Nickel-plated

* Suitable for drinking water applications

SERIES KCD300, COMPRESSION FITTING (3 CONNECTIONS/PACKAGE)

Art. No.	Reference	Connection		Dimension				Note	Weight [kg]
		A	B	C	D	E	F		
3655 28 00	KCD313	G 3/4"	CPF 15 mm	44.5	38	10	30	1)	0.31
3655 31 00	KCD313							1) Plated	0.31
3655 29 00	KCD313	G 1"	CPF 22 mm	54	48	12	40	1)	0.56
3655 32 00	KCD313							1) Plated	0.56
3655 30 00	KCD313	G 1 1/4"	CPF 28 mm	66.5	60	16	50	1)	0.95
3655 33 00	KCD313							1) Plated	0.95

Note 1) Two check valves included CPF = Compression fitting

SERIES KCD300, COMPRESSION FITTING (2 CONNECTIONS/PACKAGE)

Art. No.	Reference	Connection		Dimension				Note	Weight [kg]
		A	B	C	D	E	F		
3655 41 00	KCD313	G 1"	CPF 22 mm	54	48	12	40	2)	0.40

Note 2) One check valve included CPF = Compression fitting