

DIVERTING VALVES

MOTORIZED ZONE VALVE SERIES ZRS130

The ESBE Series ZRS130 consists of motorized spring return 3-way zone valves available in DN 15-32, PN16 with internal thread connection.



ZRS130

OPERATION

The ESBE Series ZRS130 is a range of 3-way diverting motorized zone valve with spring return actuator for use in heating and cooling system. The valve can easily be manually operated by the lever on the side of the actuator

The actuator is controlled by 2-point signal with spring return function and is recommended for diverting function, available for 230V AC, 50/60 Hz power supply.

Actuator is assembled on the valve with a screw attachment that allows to assembly/disassembly the actuator in a secure, simple and rapid way even when system is pressurized.

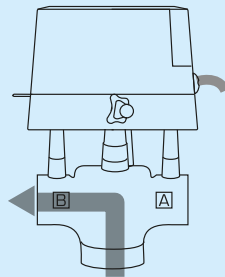
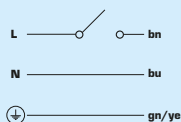
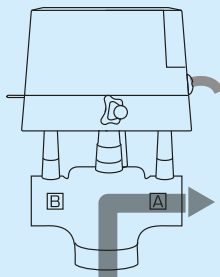
TECHNICAL DATA

Valve:

Pressure class: _____ PN 16
 Media temperature: _____ max. +94°C
 _____ min. +2°C
 Media: _____ Water / Glycol mixtures, max. 50%.
 (above 20% admixture, the pump data must be checked)
 Working pressure: _____ 1.6 MPa (16 bar)
 Max. differential pressure: _____ see diagram
 Connections: _____ Internal thread (G), ISO 228/1 B

Material
 Valve body: _____ Brass CW 614N
 Ball: _____ NBR
 O-rings: _____ EPDM

WIRING

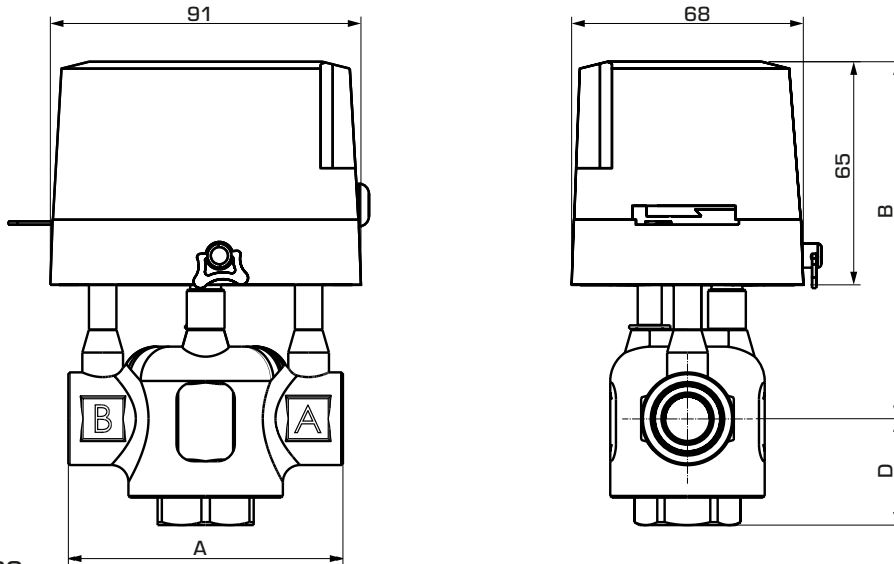


Actuator:

Ambient temperature: _____ max. +60°C
 _____ min. 0°C
 Enclosure rating: _____ IP44
 Protection class: _____ I
 Connection cable: _____ 1 meter
 Power supply: _____ 230 V AC, 50/60 Hz
 Control signal: _____ 2-point (2-wire spring return)
 Power consumption: _____ 6 VA
 Running time, opening: _____ 15 seconds
 closing: _____ 5 seconds

CE LVD 2014/35/EU
 EMC 2014/30/EU
 RoHS 2011/65/EU
 PED 2014/68/EU, article 4.3

MOTORIZED ZONE VALVE SERIES ZRS130



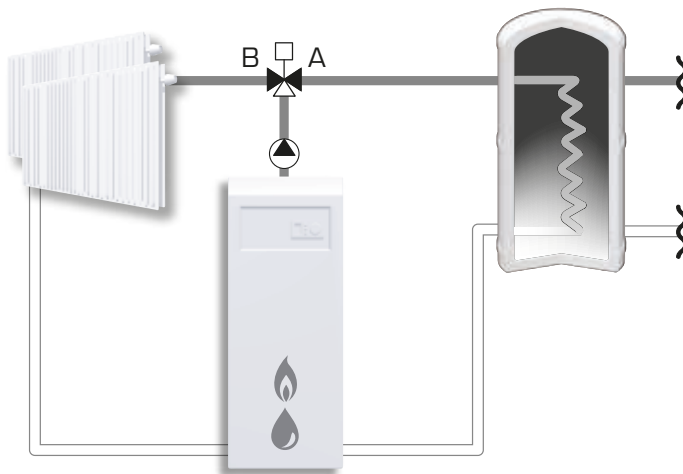
ZRS130

SERIES ZRS134, INTERNAL THREAD

Art. No.	Reference	DN	Kvs*	Max. differential pressure [kPa]	Connection	A	B	D	Weight [kg]	Note
43121100	ZRS134	15	3.2	150	G 1/2"	80	103	29	1.02	
43121200		20	4.6		G 3/4"	89		32	1.07	
43121300		25	5.7	100	G 1"	93	37	1.16		
43121400		32	8.4		G 1 1/4"	105	110	45	1.58	

* Kvs-value in diverting mode measured as m³/h at a pressure drop of 1 bar.

INSTALLATION EXAMPLE



MOTORIZED ZONE VALVE SERIES ZRS130

PRESSURE DROP DIAGRAM

