

ESBE SERIES CRB100



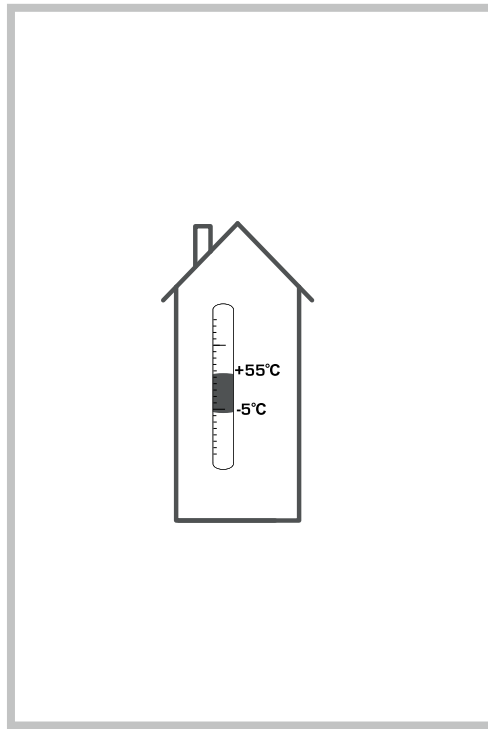
Series CRB110
Series CRB120

CE

LVD 2014/35/EU
EMC 2014/30/EU
RoHS 2011/65/EU
RED 2014/53/EU
EN 300220-2



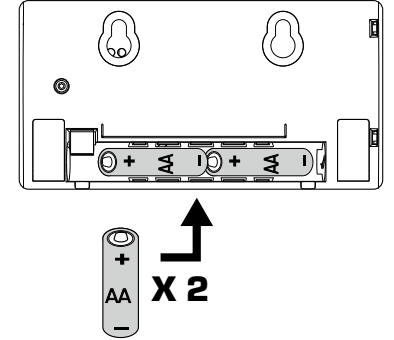
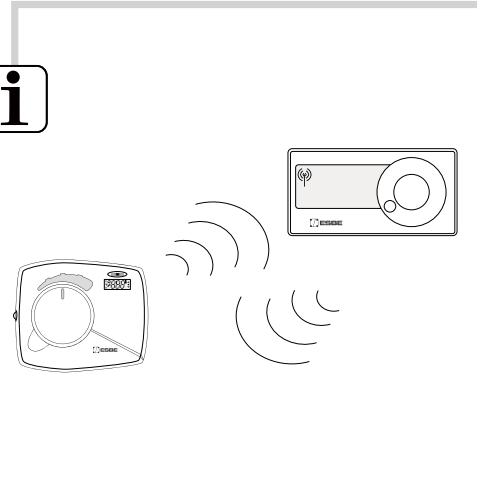
DECLARATION OF CONFORMITY - CRB100
<http://www.esbe.eu/global/en/support/download-documents> (Certificates)



1A

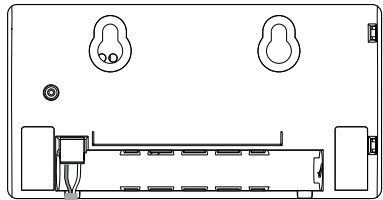


Series CRB120



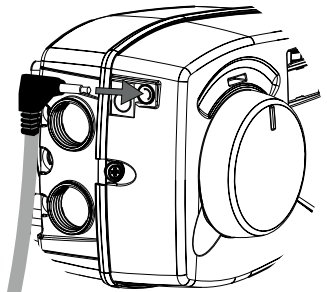
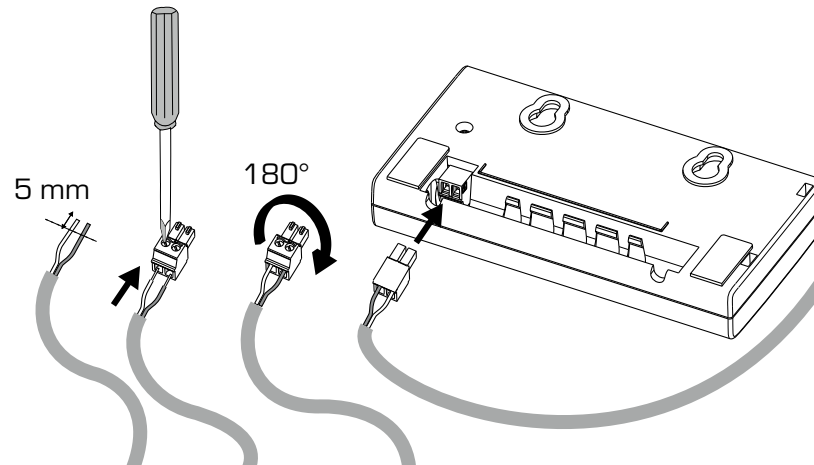
1B

Series CRB110

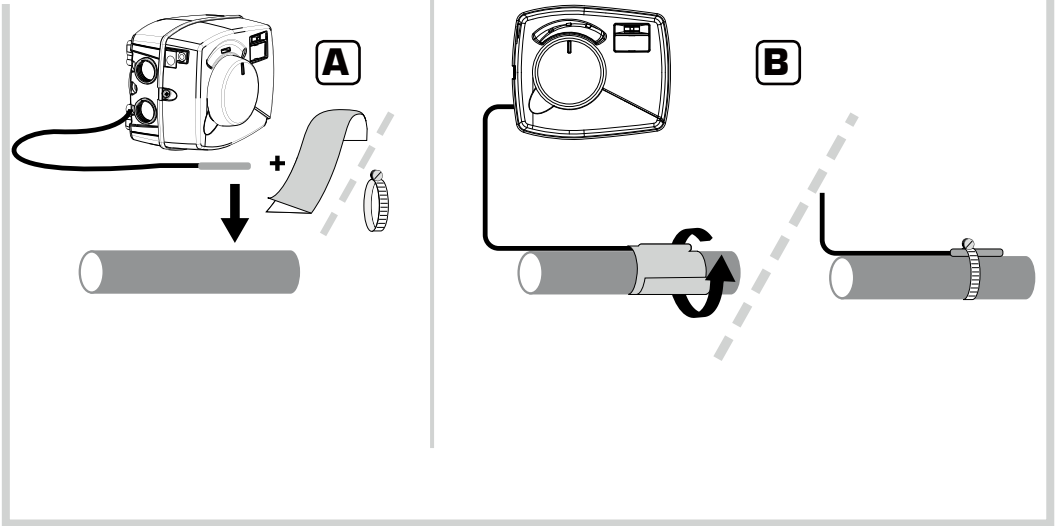


5 mm

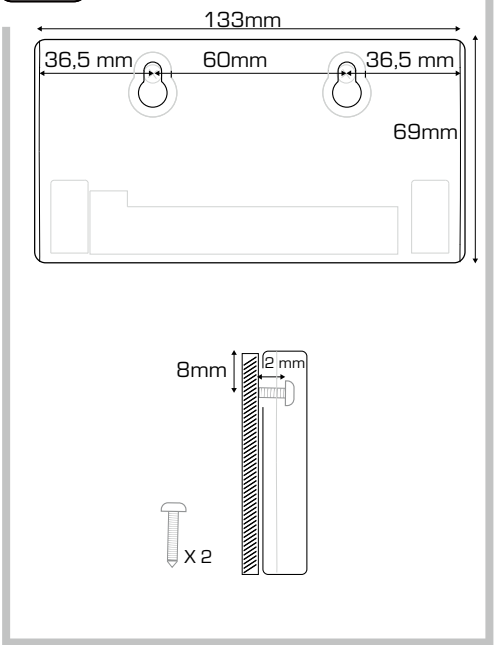
180°



2



i

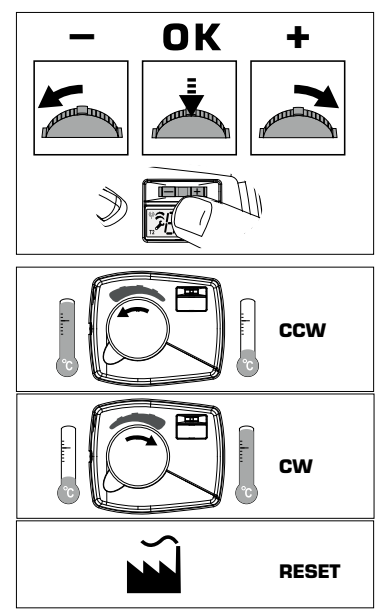


Mtrl.n: 9814 03 91 • Rit.n: 9211 utg. C • Rev. 1710

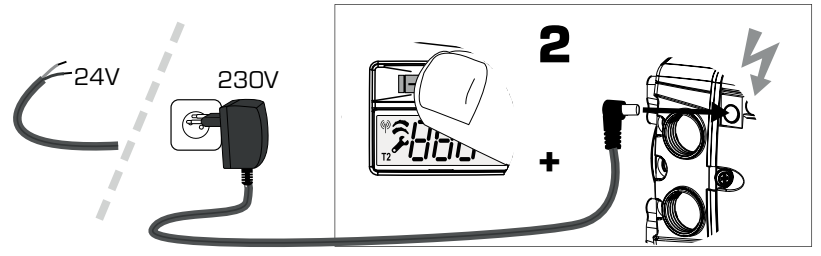
3



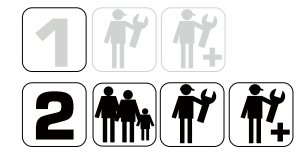
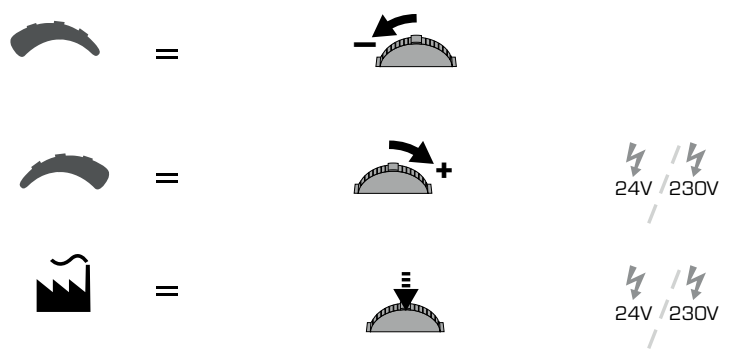
i



1



2



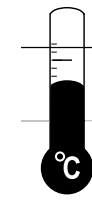
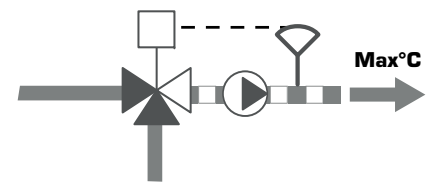
SERIES CRB100



NO.1 IN HYDRONIC SYSTEM CONTROL

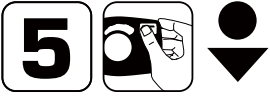
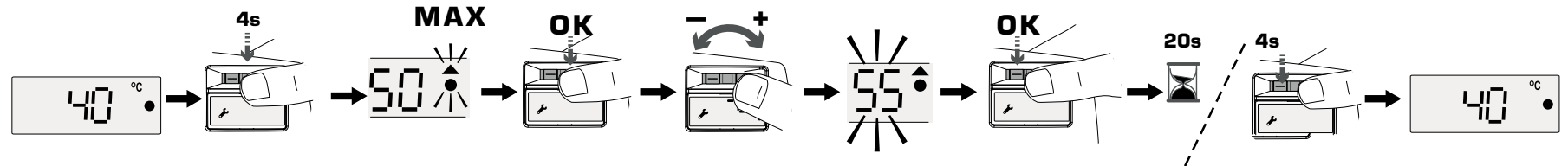


▲ = MAX

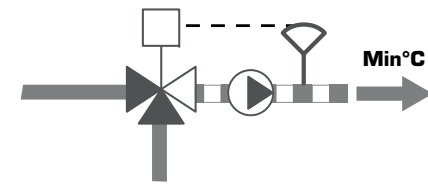


▲ Max°C
● Min°C
▼

	50 °C
	~40 - 50 °C
	~60 - 80 °C

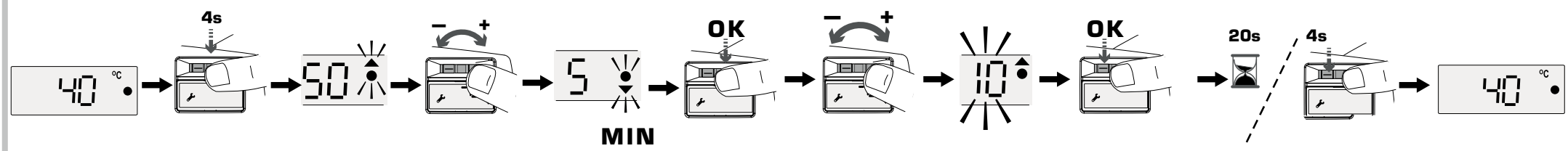


● = MIN



▲ Max°C
● Min°C
▼

	5 °C
	~5 - 25 °C
	~5 - 25 °C



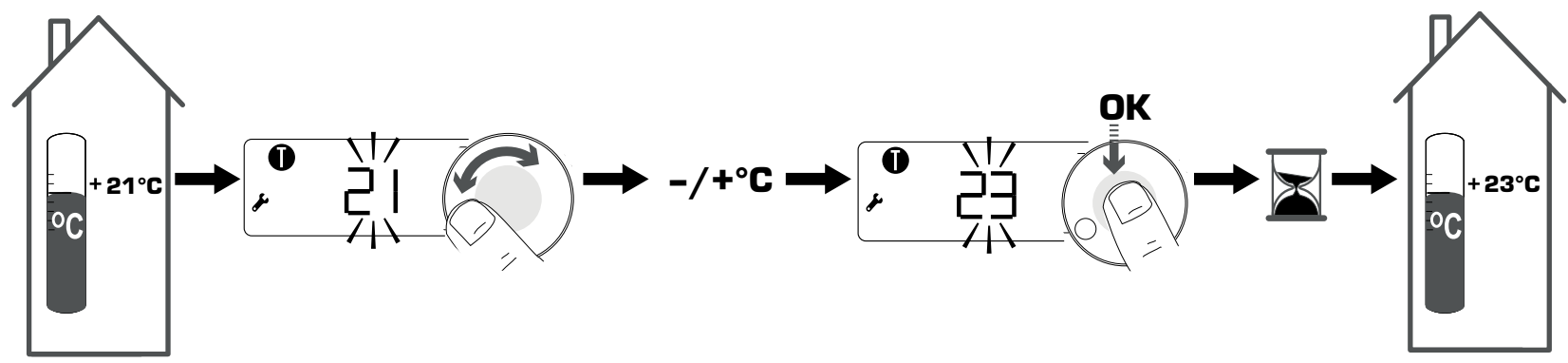
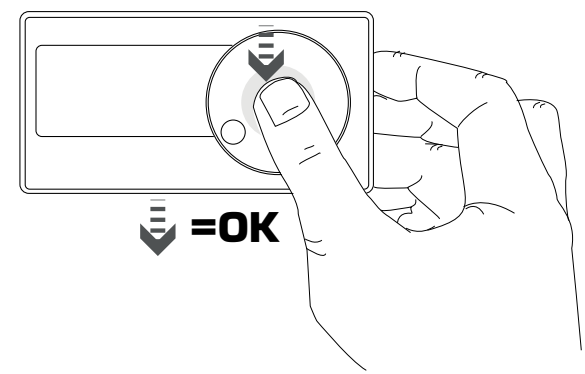
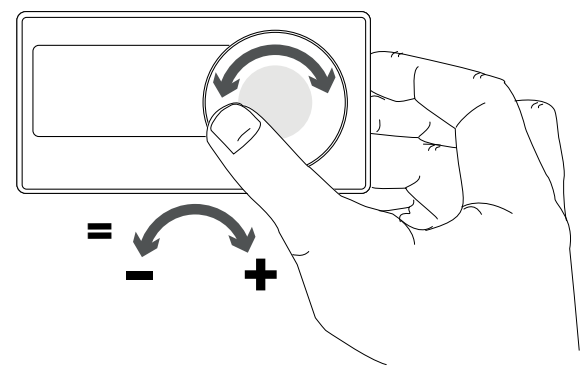
6



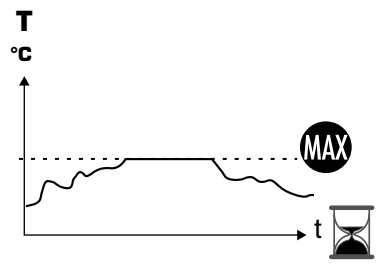
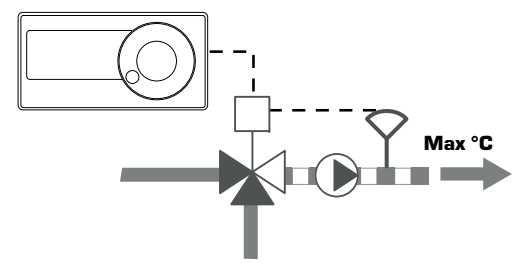
T



i



i **MAX**

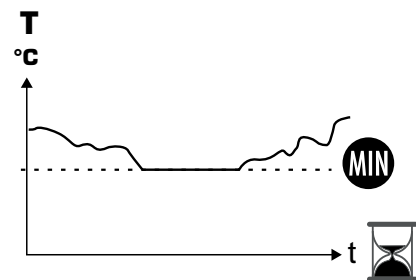
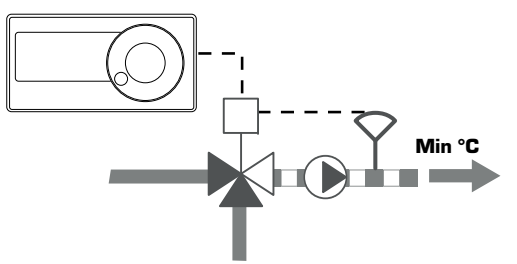


	50 °C
	~40 - 50 °C
	~60 - 80 °C
	60 °C

21 **4s** **MAX MIN C**

OK **50** **MAX** **55** **-/+°C** **OK**

i **MIN**



	5 °C
	~5 - 25 °C
	~5 - 25 °C
	~5 - 25 °C

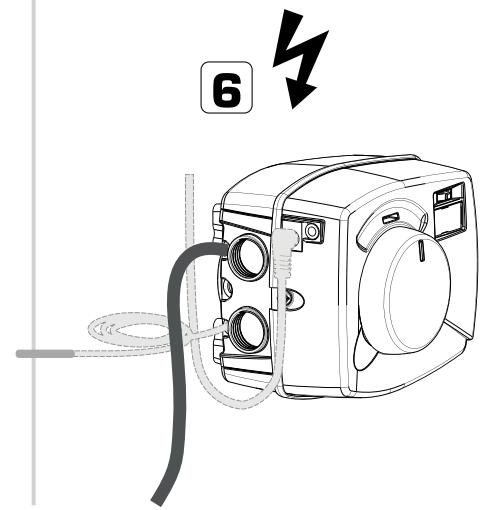
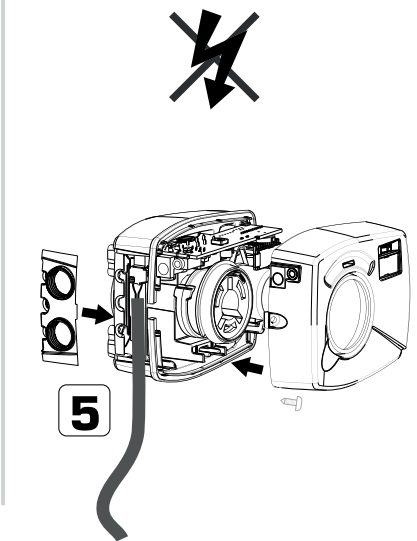
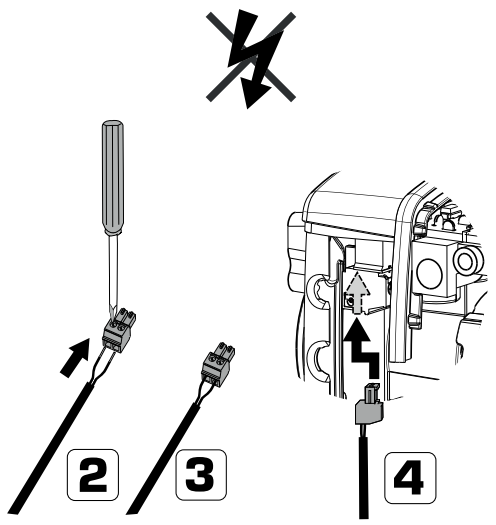
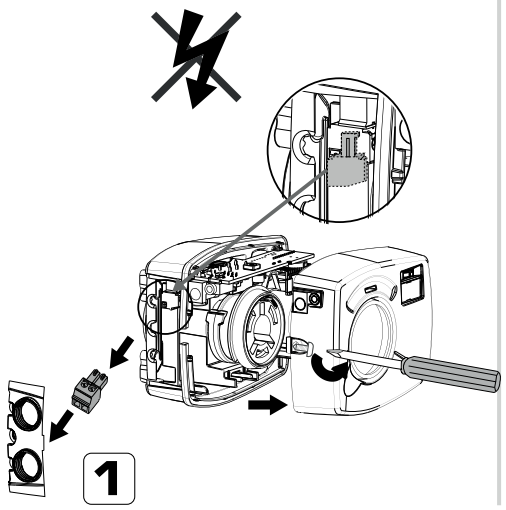
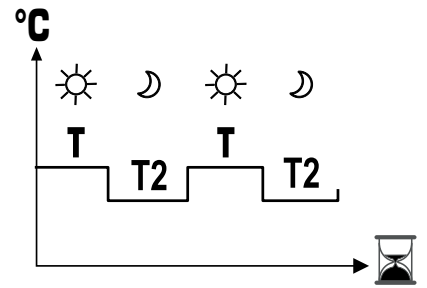
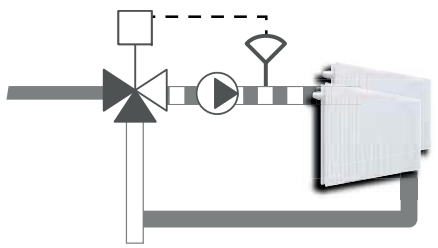
21 **4s** **MAX MIN C**

OK **5** **MIN** **10** **-/+°C** **OK**

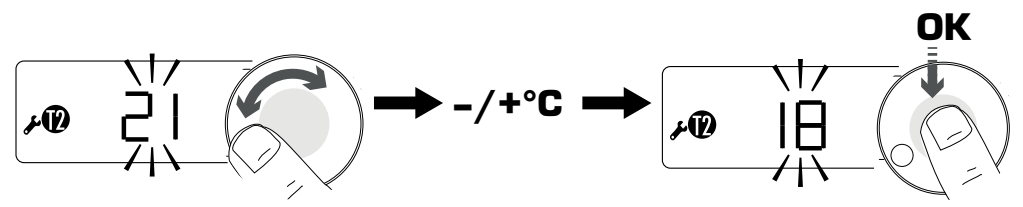
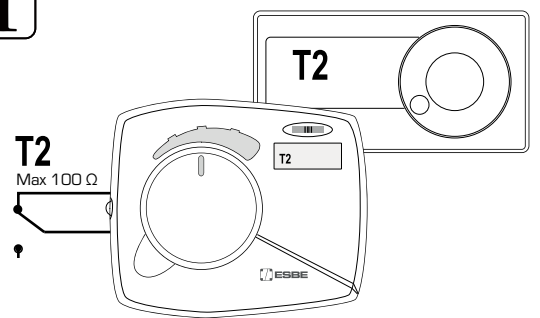
i **T2**

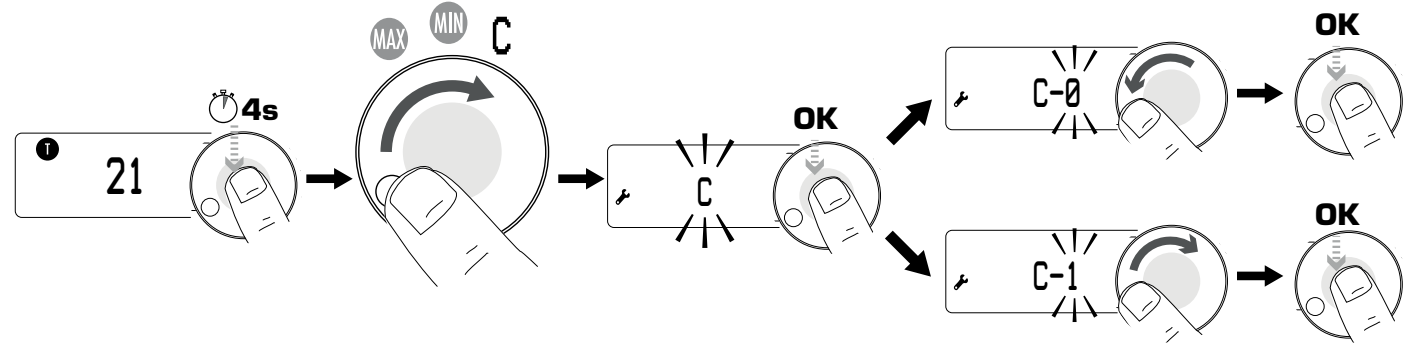
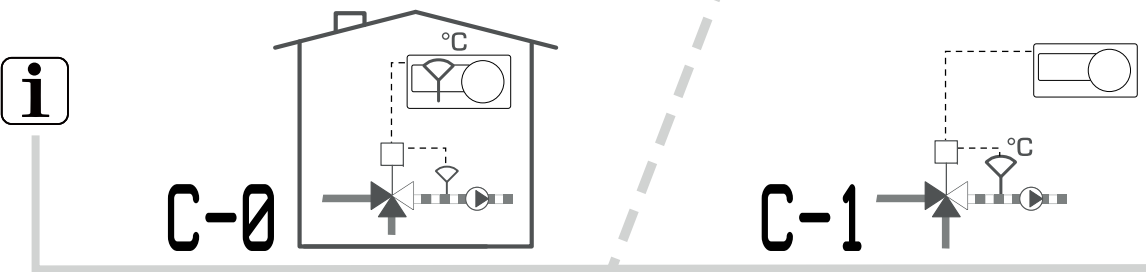


i

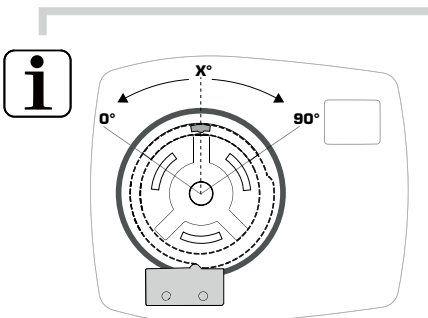


i

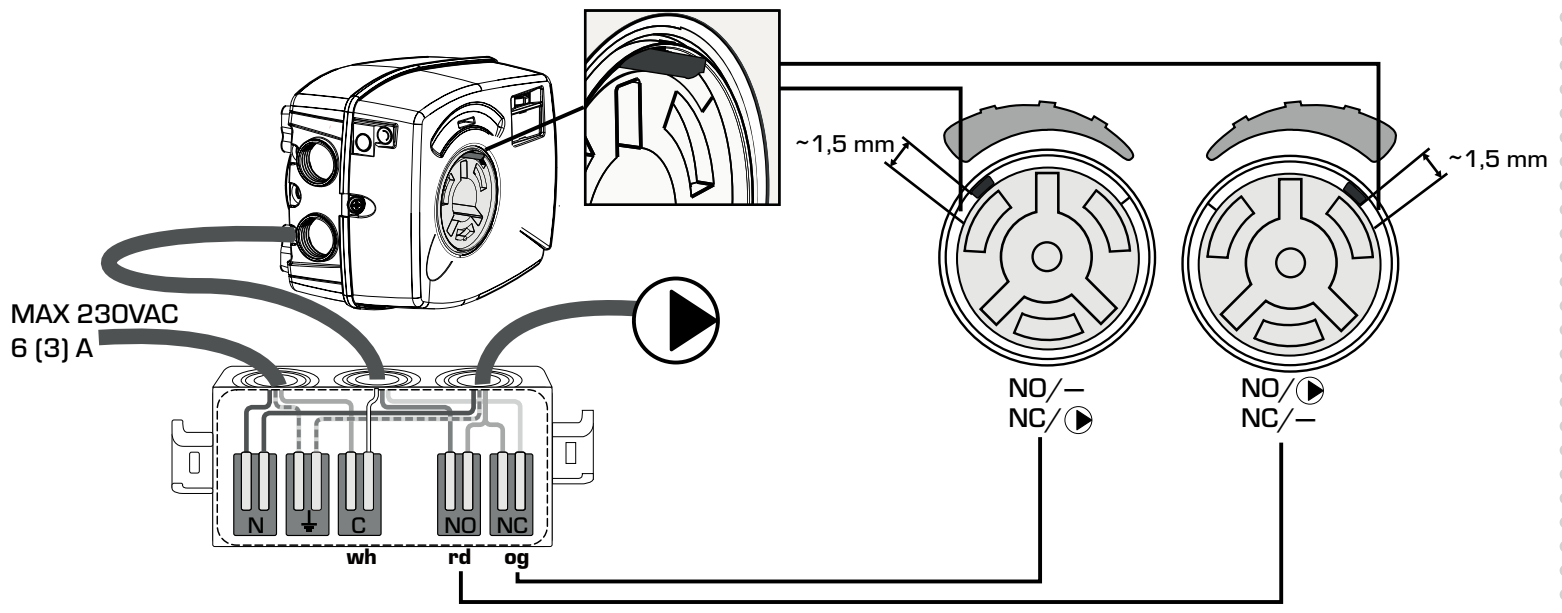




Series CRB113 **ON/OFF**



	0° - X°	X° - 90°
NO		
NC		
	X° = 45°	



T

i

