

CONTROLLERS

CONTROLLER SERIES CRA150

ESBE series CRA150 is a combined actuator and constant flow temperature controller made especially for applications with heating and cooling possibility in the same circuit.

OPERATION

The ESBE series CRA150 is an integrated actuator and controller with possibility to control 2 different modes. The primary mode is for example heating; in this mode the controller will mix the hot fluid with the return fluid according to the set temperature. The secondary mode, for example cooling, is activated by an external signal and when active the controller will change working direction and mix the cold fluid with the return fluid according to the alternative set temperature. Temperature setting is done by an easy-to-use joystick and display interface and the temperature setting is adjustable within the range of 5 - 95°C.

MOUNTING

Power supply by 230 V AC adapter (complete with transformer, cable and wall socket plug).

Flow pipe sensor comes with 1,5m cable included (longer cable available as accessory). The sensor must be carefully insulated from ambient temperature.

Thanks to the special interface between the controller series CRA150 and the ESBE series VRG and VRH, the unit as a whole has a unique stability and precision when regulating.

OPTIONAL EQUIPMENT

Art. No.

16200700 _____ ARA801 Auxiliary switch kit

17053100 _____ CRA911 Flow pipe sensor, 5m cable



CRA151
230 VAC

SUITABLE MIXING VALVES

- Series VRG130
- Series VRG230
- Series VRG330
- Series VRH130
- Series 3MG
- Series 3G
- Series 3F ≤ DN50

ADAPTOR KITS

Required adaptor kits for easily fitting onto an ESBE rotary mixing valve series VRG, VRB and VRH is supplied with each controller. Adaptor kits can also be ordered separately. Art. No.

16000500 _____ ESBE valve series VRG, VRH, G, MG, F

Adaptor kits for other mixing valves are available as follows: Art. No.

16000600 _____ Meibes

16000700 _____ Watts

16000800 _____ Honeywell Corona

16000900 _____ Lovato

16001000 _____ PAW

16001100 _____ Wita Minimix, Maximix

TECHNICAL DATA

Ambient temperature: _____ max. +55°C

_____ min. -5°C

Sensors: _____ Temperature sensor type NTC

Temperature range:

Flow pipe sensor _____ +5 to +95°C

Enclosure rating: _____ IP41

Protection class: _____ II

Power supply: _____ 230 ± 10% V AC, 50 Hz

Power consumption - 230 V AC: _____ 10 VA

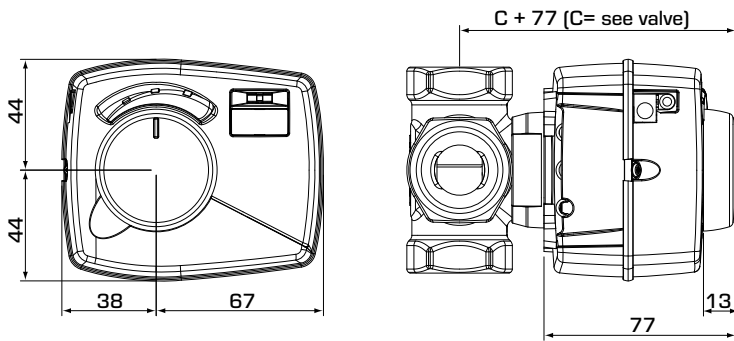
Torque: _____ 6 Nm

Running time at max. speed: _____ 30s

CE LVD 2014/35/EU
EMC 2014/30/EU
RoHS 2011/65/EU

CONTROLLERS

CONTROLLER SERIES CRA150



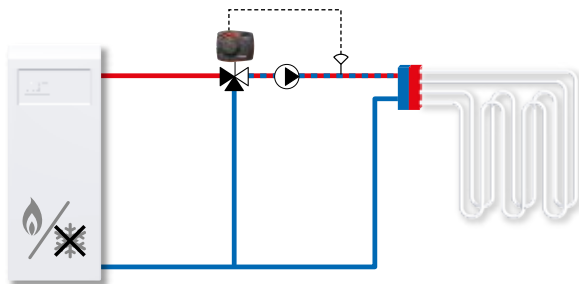
Installation dimensions for Controller Series
CRA150 with ESBE VRG100, VRG200,
VRG300 and VRH100 mixing valves

SERIES CRA150

Art. No.	Reference	Voltage [VAC]	Temp. range	Torque [Nm]	Weight [kg]	Note	Replaces
12725100	CRA151	230	5-95°C	6	0,7		

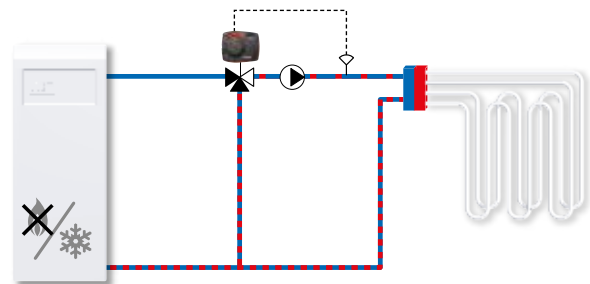
INSTALLATION EXAMPLES

①



Heating mode

②



Cooling mode