



### ADAPTOR KIT ALA826



Art.Nr: 9814 02 43 • Ritn.Nr: 3734 utg. C • Rev. 1605

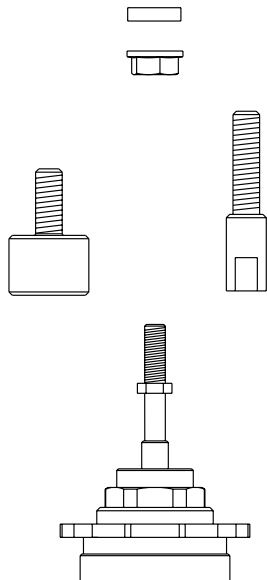


Series ALA  
Series ALB  
Series ALFxx1  
Series ALFxx4

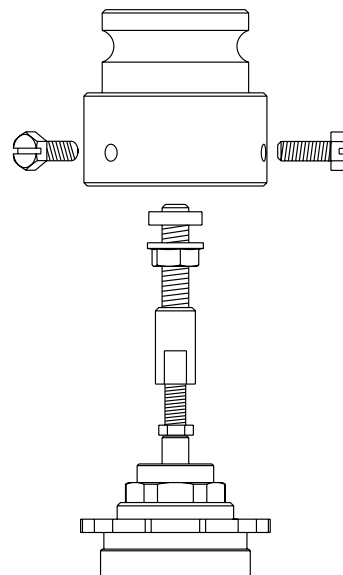


Adaptor Kit Art. No. 26000800  
SATCHWELL valves:  
VZ, VJF, VSF; DN 15 - 50 (1/4")  
VZF, MZF; DN 65 - 150 (3/8")

1



2



3

Fits valves with stem neck dimensions:

