

CIRCULATION UNIT

DIRECT SUPPLY, SERIES GDF100



GDF111

PRODUCT DESCRIPTION

The ESBE series GDF100 is a direct supply circulation unit designed for applications, where the energy transport is required. Equipped with two shut-off valves with thermometers, check valve and high class insulation shell. The ESBE Circulation Unit GDF100 is ready to work with 180mm pumps. The smart adjustable insulation shell makes it sure that any kind of pump will be insulated in a right way.

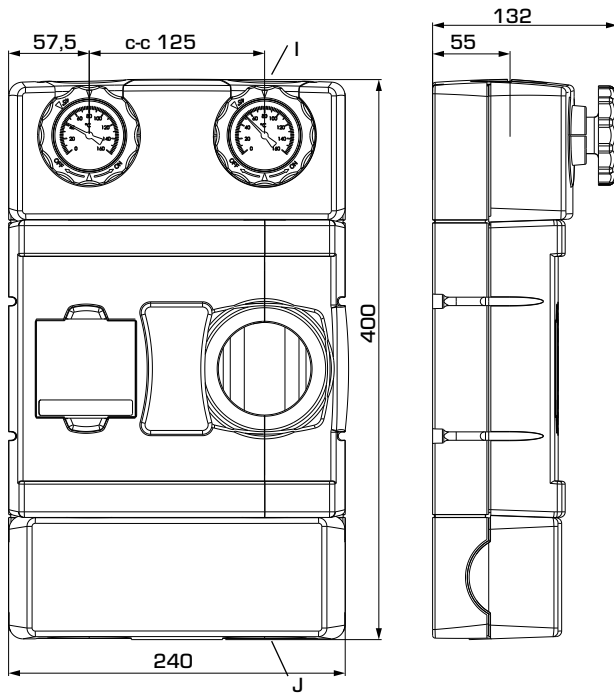
KEY BENEFITS

- 180mm pump ready – be free to use favorite pump manufacturer
- High class, adjustable insulation shell

SERVICE AND MAINTENANCE

The circulation unit does not require any specific maintenance under normal conditions.

PRODUCT ASSORTMENT



Installation dimensions for Circulation unit Series GDF100

RELATED ACCESSORIES

See separate data sheet for further detailed information.

ESBE Manifold

Manifold for 1, 2, or 3 circulation units. With integrated separator function.

Art. No.

66001100 _____ GMA411- for 1 unit

66001600 _____ GMA521 - for 2 units

66001700 _____ GMA531 - for 3 units

Manifold for 2, 3, 4 or 5 circulation units. Without integrated separator function.

Art. No.

66001200 _____ GMA421- for 2 units

66001300 _____ GMA431 - for 3 units

66001400 _____ GMA441 - for 4 units

66001500 _____ GMA451 - for 5 units


SERIES GDF100

Art. No.	Reference	DN	Connections		Weight [kg]	Note
			I	J		
61200100	GDF111	25	G 1"	G 1½"	2,9	

CIRCULATION UNIT

DIRECT SUPPLY, SERIES GDF100

TECHNICAL DATA

 Visit esbe.eu for further detailed information.

The Circulation unit, in general:

Pressure class: _____ PN 6
 Media temperature: _____ max. +110°C
 _____ min. 0°C
 Ambient temperature: _____ max. °C / min. °C
 (depends on the electronic equipment)
 Working pressure: _____ 0,6 MPa (6 bar)
 Connections, _____ Internal thread (G), ISO 228/1
 _____ External thread (G), ISO 228/1
 Insulation: _____ EPP λ 0,036 W/mK
 Media: _____ Heating water (in accordance with VDI2035)
 _____ Water / Glycol mixtures, max. 50%.
 (above 20% admixture, the pump data must be checked)

Material, in contact with water:

Components of: _____ Brass, Steel
 Sealing material of: _____ PTFE, Aramid fibre, EPDM

Conformities and certificates:

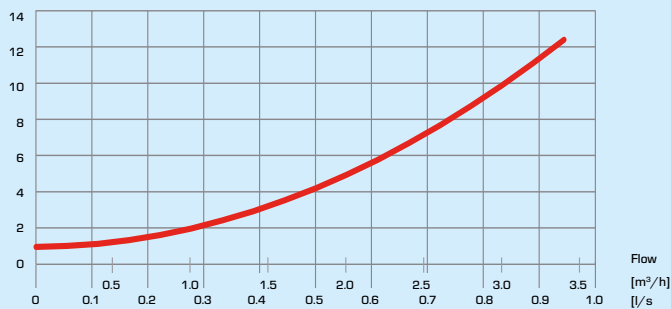
PED 2014/68/EU, article 4.3



EnEV2014

CHARACTERISTICS

Pressure [kPa]



INSTALLATION EXAMPLE

