

ROTARY MOTORIZED VALVES
MIXING VALVE
SERIES 3MG

3MG, DN 15–32, DZR brass. PN 10. Pump flange connection in combination with external thread.



External thread/
Pump flange

OPERATION

The ESBE series MG is a compact mixing valve made of brass for use in heating and cooling installations.

The MG is normally equipped with a knob for manual operation and is also suitable for automatic control. This is a simple operation when using the ESBE actuator series ARA600 and series 90, or controllers series CRA110, CRB100 and 90C.

The scale is graded on both sides and can be turned, allowing a choice of mounting positions. Operation angle = 90°.

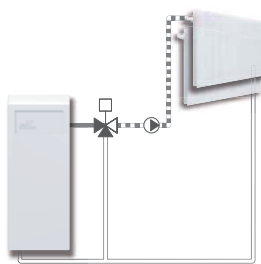
Valves series 3MG are made of a special brass alloy (DZR) and are therefore also suitable for domestic water installations.

SERVICE AND MAINTENANCE

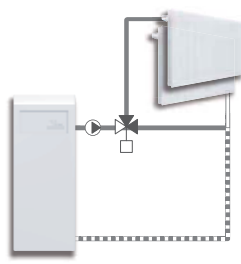
All major parts are replaceable. The shaft seal consist of two o-rings, one of which can be replaced without the need for draining down the system or dismantling the valve. However, before doing so, the system must be depressurized.

INSTALLATION EXAMPLES

All the examples of installations can be reversed. The valve position plate is graded on both sides and should at the installation be fitted in the correct position as shown in the instruction for installation.



3MG, Mixing



3MG, Diverting

VALVE 3MG DESIGNED FOR

- Heating
- Comfort cooling
- Potable water
- Floor heating
- Solar heating
- Ventilation
- Zone
- District hot water
- District heating
- District cooling

SUITABLE ACTUATORS

The valve series 3MG may most easily be fitted with ESBE actuators:

- Series ARA600
- Series 90
- Series 90C
- Series CRB100
- Series CRA110

TECHNICAL DATA

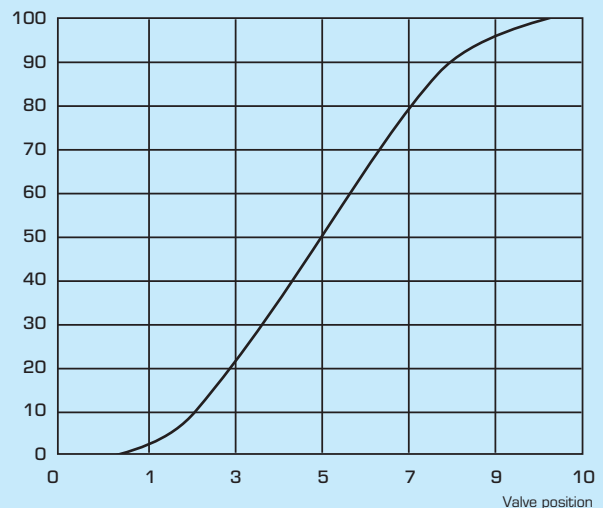
Pressure class: _____ PN 10
 Media temperature: _____ max. +130°C
 _____ min. -10°C
 Differential pressure drop: _____ max. 100 kPa
 Torque: _____ max. 3Nm
 Leakage in % of flow: _____ see table
 Rangeability Kv/Kv^{min}: _____ 100
 Connections: _____ External thread, ISO 228/1

Material

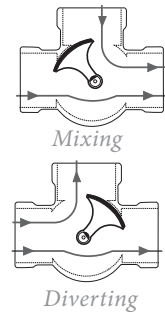
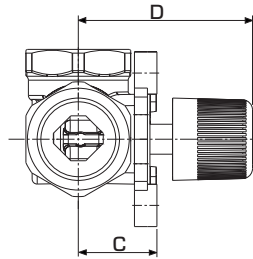
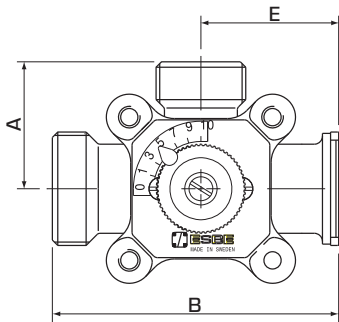
Valve body, spindle and slide: _____ Brass DZR, CW 602N
 Bushing: _____ Plastic
 Cover plate: _____ Zinc
 O-rings: _____ EPDM

VALVE CHARACTERISTICS

% hot water



MIXING VALVE SERIES 3MG



The flat-sided spindle top (as well as the indicator of the knob) points towards the sleeve position.

SERIES 3MGP, PUMP FLANGE AND EXTERNAL THREAD

Art. No.	Reference	DN	Kvs *	Connection	A	B	C	D	E	Weight [kg]	Leakrate in % of flow**	
											mixing	diverting
1100 55 00	3MGP 15	15	2.5	G 1" / G 1½" / PF 1½"	48	112	32	70	51	1.0	0.1	0.05
1100 56 00	3MGP 20	20	6.3									
1100 20 00	3MGP 25	25	8									
1100 57 00	3MGP 32	32	18	G 1¼" / G 1½" / PF 2"	48	105	38	76	50	1.1	0.1	0.05

* Kvs-value in m³/h at a pressure drop of 1 bar. See also flow chart on page 33. ** Differential pressure 50 kPa. PF = Pump Flange