

ADAPTER KIT 900



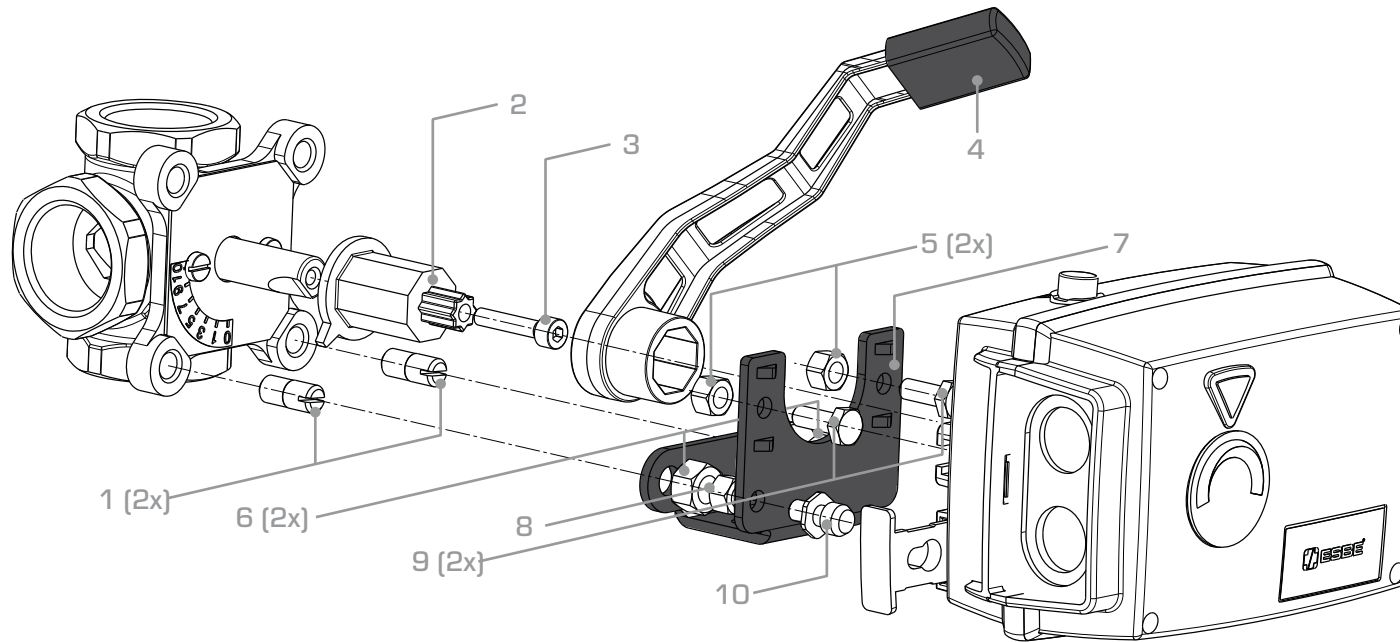
Series 90
Series 90C
Series 90K



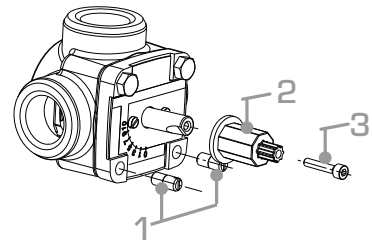
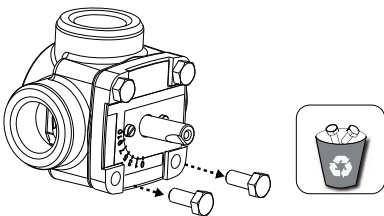
Mtrl.nr: 98140307 • Ritn.nr: 9153 utg. C • Rev. 1209



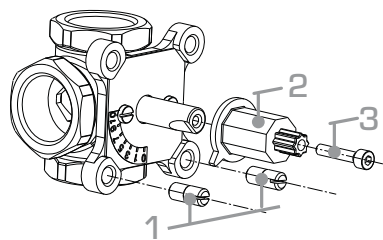
Series MG, G, F, BIV, H/HG, T/TM



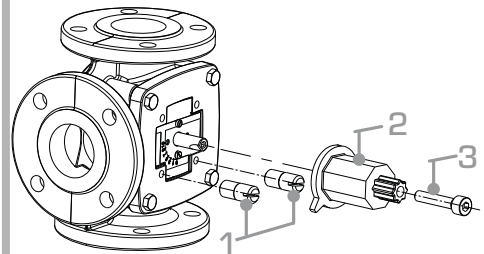
1 Series **G**
a



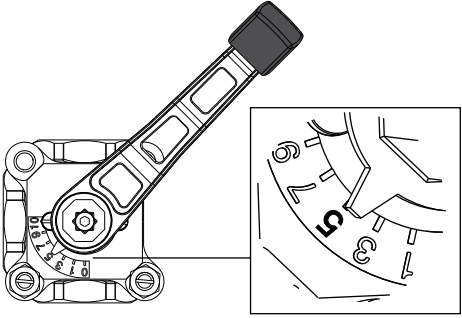
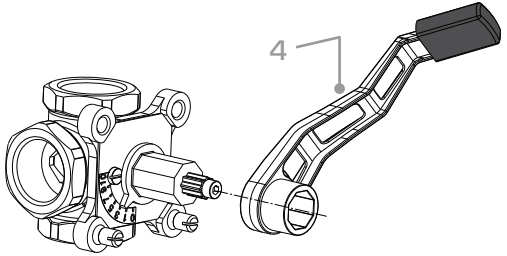
1 Series **MG, BIV, H/HG, T/TM**
b



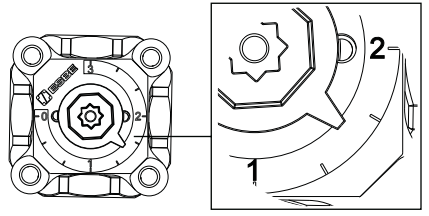
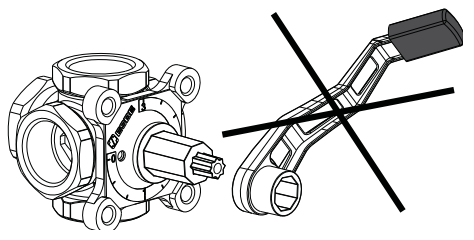
1 Series **F**
c



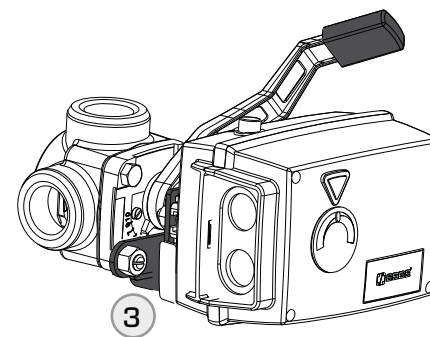
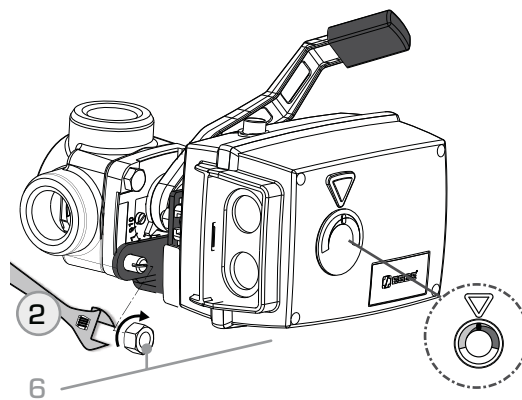
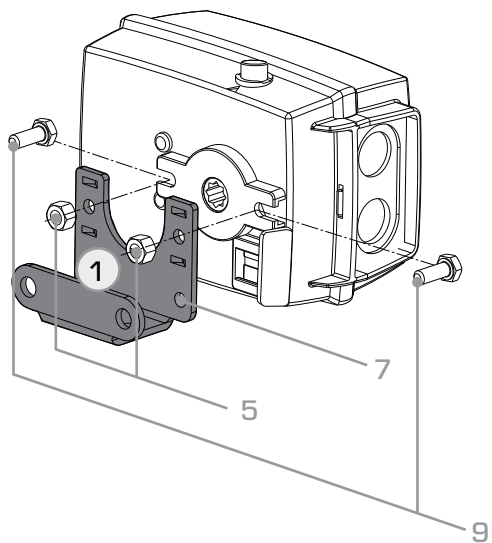
2 Series **MG, G, F, BIV, H/HG, T/TM**
a



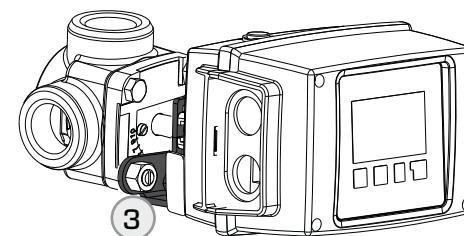
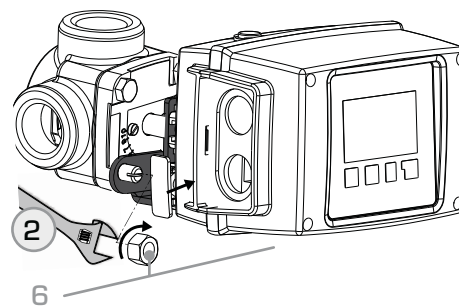
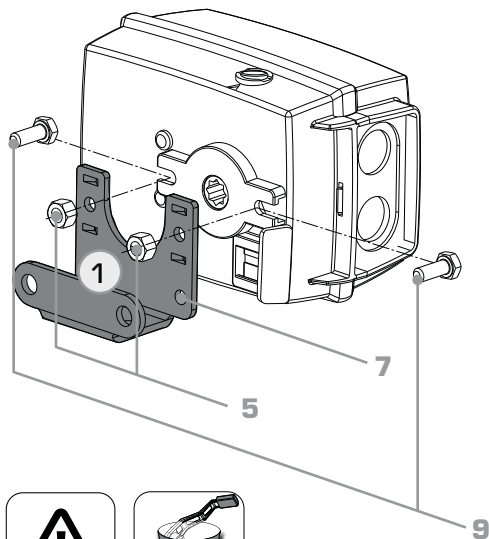
2 Series **5MG**
b



3 Series **90, 90K** - DN15 - 150
a



3 Series **90C** - DN15 - 150
b



3

Series 92P4, 95M-270 - DN15 - 150

C

