

ROTARY MOTORIZED VALVES

MIXING VALVE SERIES 5MG

5MG, DN 25–32, brass, PN 10. Internal thread connection.



Internal thread

OPERATION

The ESBE series 5MG is a compact mixing valve with five ports. It is made of brass for use in heating installations.

Series 5MG is normally equipped with a knob for manual operation and is also suitable for automatic control. This is a simple operation when using the ESBE actuator 92P4 or 95-270M (article number 12550400, 12053300).

Series 5MG is available in dimensions DN 25–32 with internal thread.

The scale is graded on both sides and can be turned, allowing a choice of mounting positions. Operation angle = 270°.

FUNCTION

When used as mixing valve it has four inlets to be connected so that they draw heat from different layers in a storage tank or from different heat sources.

When used as a diverting valve it has four outlets to be connected so that they feed different layers in a storage tank.

SERVICE AND MAINTENANCE

All major parts are replaceable. The shaft seal consist of two o-rings, one of which can be replaced without the need for draining down the system or dismantling the valve. However, before doing so, the system must be depressurized.

INSTALLATION EXAMPLES

All the examples of installations can be reversed. The valve position plate is graded on both sides and should at the installation be fitted in the correct position as shown in the instruction for installation.

VALVE 5MG DESIGNED FOR

- Heating
- Solar heating

SUITABLE ACTUATORS AND CONTROLLERS

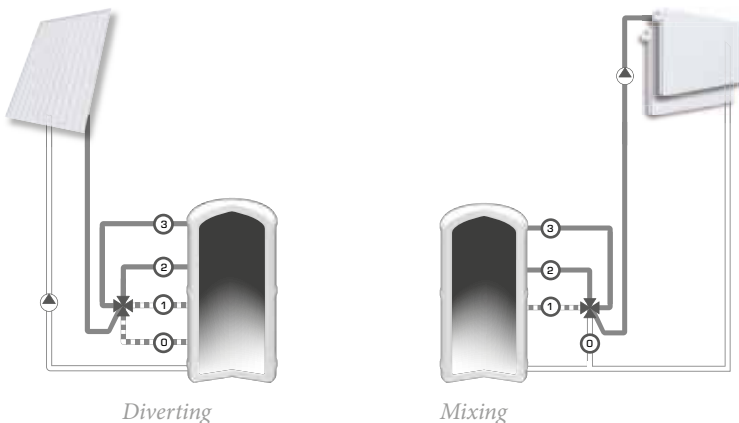
- Series 90, type 92P4 and 95-270M

TECHNICAL DATA

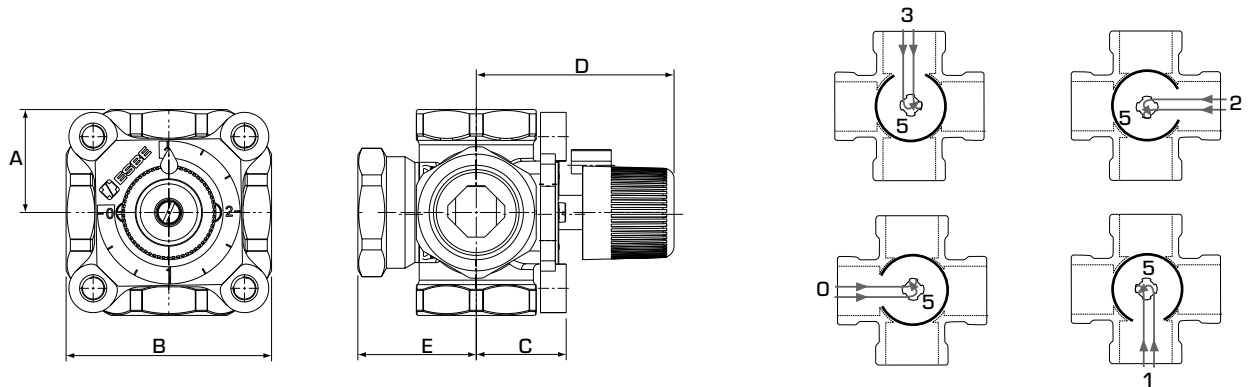
Pressure class: _____ PN 10
 Media temperature: _____ max. +130°C
 _____ min. -10°C
 Differential pressure drop: _____ max. 100 kPa
 Torque: _____ max. 3Nm
 Leakrate in % of flow: _____ see table
 Rangeability Kv/Kv^{min}: _____ 100
 Connections: _____ Internal thread, EN 10226-1

Material
 Valve body, spindle and slide: _____ Brass CW 614N
 Bushing: _____ Plastic
 Cover plate: _____ Zinc
 O-rings: _____ EPDM

PED 2014/68/EU, article 4.3



MIXING VALVE SERIES 5MG



The flat-sided spindle top
(as well as the indicator of the knob)
points towards the opening in the sleeve.

SERIES 5MG, INTERNAL THREAD

Art. No.	Reference	DN	Kvs*	Connection	A	B	C	D	E	Weight [kg]	Leakrate in % of flow**
11005200	5MG 25	25	8	Rp 1"	36	72	32	70	41	0.9	0.3
11005300	5MG 32	32	18	Rp 1 1/4"	44	88	38	77	47	1.2	0.2

* Kvs-value in m³/h at a pressure drop of 1 bar. Flow chart, see product catalogue. ** Differential pressure 50 kPa